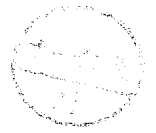


作成承認印

配布許可印



# AF-I Nikkor ED 400mm f/2.8 D IF

## REPAIR MANUAL

修 理 指 針

**Nikon** | NIKON CORPORATION  
Tokyo, Japan

© Copyright 1994  
ALL RIGHTS RESERVED  
無断転載を禁ず!!

## 目 次

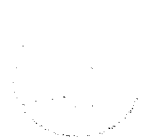
|          |       |     |
|----------|-------|-----|
| 組立図      | ----- | F 1 |
| 実体配線図    | ----- | F 5 |
| 回路図      | ----- | F 6 |
| メインFPC   | ----- | F 7 |
| LED FPC  | ----- | F 8 |
| ICピン配置表  | ----- | F 9 |
| 仕様       | ----- | M 1 |
| 分解・組立・調整 | ----- | L 1 |

## CONTENTS

|                                      |       |     |
|--------------------------------------|-------|-----|
| Construction of the Lens             | ----- | F 1 |
| Wiring Diagram                       | ----- | F 5 |
| Circuit Diagram                      | ----- | F 6 |
| Main FPC                             | ----- | F 7 |
| LED FPC                              | ----- | F 8 |
| IC TERMINALS                         | ----- | F 9 |
| Specifications                       | ----- | M 1 |
| Disassembling/Assembling/Adjustments | ---   | L 1 |

作成承認印

配布許可印



# AF-I Nikkor ED 400mm f/2.8 D IF

## PARTS LIST

修理部品表

**Nikon** | NIKON CORPORATION  
Tokyo, Japan

© Copyright 1994  
ALL RIGHTS RESERVED  
無断転載を禁ず //

## 目 次

## 部品表編

|                  |       |     |
|------------------|-------|-----|
| 記号説明             | ----- | K 1 |
| テープ類TA設定部品一覧表    | ----- | K 3 |
| リードワイヤー一覧表       | ----- | K 4 |
| 収縮チューブ一覧表        | ----- | K 5 |
| 展開図の見方           | ----- | K 6 |
| 展開図中の部品位置を確認する手順 | ----- | K 7 |
| (1) 展開図          | ----- | P 1 |
| (2) 部品表          | ----- | P 4 |

## C O N T E N T S

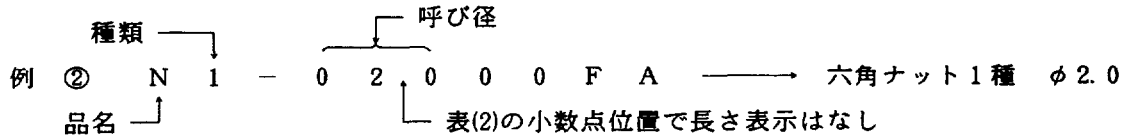
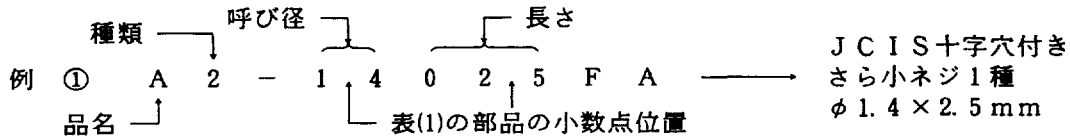
## PARTS LIST

|   |       |     |
|---|-------|-----|
| MARKS IN THE PARTS LIST                         | ----- | K 1 |
| TAPE AND FILMS WITH PREFIX ALPHABETS TA         | ----- | K 3 |
| LEAD WIRE LIST                                  | ----- | K 4 |
| THERMAL CONSTRUCTION TUBE LIST                  | ----- | K 5 |
| HOW TO USE EXPLOSION DRAWINGS                   | ----- | K 6 |
| HOW TO FIND THE PATR WITH NUMBER IN THE DRAWING | ----- | K 7 |
| (1) Exploded Drawings                           | ----- | P 1 |
| (2) Parts List                                  | ----- | P 4 |

# 記号説明 MARKS IN THE PARTS LIST

## (1) 機械標準品

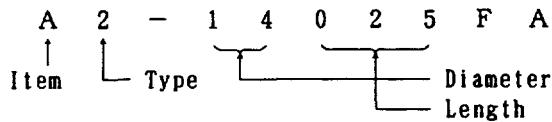
下の表に示す機械標準品の部品番号は品名、種類、呼び径、長さを示しています。



## (1) Standard mechanical parts

Reference Number in the Parts List

### A. Screw · Pin



### B. Nut · Washer · Snap ring

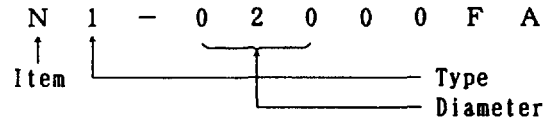


表 1

| 品名 Item   | 種類 Type   | 品名 Item                                    | 種類 Type   |
|---|---|--|---|
| J C I S<br>十字穴付き小ねじ 1 種<br>Cross-point screw 1                | A<br>なべ Pan 1<br>さら Countersunk 2<br>丸さら Oval 3               | すりわり付き止めねじ<br>Splitted set screw           | K<br>丸先 Round point 1<br>とがり先 Cone point 2<br>くぼみ先 Half point 3 |
| J C I S<br>十字穴付き小ねじ 3 種<br>Cross-point screw 3                | B<br>なべ Pan 1<br>さら Countersunk 2<br>丸さら Oval 3               | 六角穴付き止めねじ<br>Hexagon socket head set screw | L<br>とがり先 Cone point 2<br>くぼみ先 Half point 3<br>平先 Normal 4      |
| 十字穴付き小ねじ<br>Cross-point screw                                 | C<br>なべ Pan 1<br>さら Countersunk 2<br>丸さら Oval 3<br>トラス Trus 4 | 六角穴付きボルト<br>Hexagon socket head bolt       | M<br>M2, M2.6 1<br>2  |
| 十字穴付きタップタイ<br>タイトねじ B 型<br>Cross-point tapped<br>screw B      | F<br>なべ Pan 1<br>さら Countersunk 2                             | 平行ピン<br>Straight pin                       | P<br>ステンレス<br>Stainless steel 1<br>5                            |
| 十字穴付きタップタイ<br>タイトねじ B 型 1 種<br>Cross-point tapped<br>screw B1 | G<br>なべ Pan 1<br>さら Countersunk 2<br>丸さら Oval 3               | テーパピン<br>Taper pin                         | 2   |
| 十字穴付きタップタイ<br>タイトねじ B 型 3 種<br>Cross-point tapped<br>screw B3 | H<br>なべ Pan 1<br>さら Countersunk 2<br>丸さら Oval 3               | スプリングピン<br>Spring cotter                   | 一般用<br>Normal 3<br>軽荷重用<br>Light 4                              |
| 表 2   |   |  |   |
|   |   | 品名 Item                                    | 種類 Type   |
|   |   | 六角ナット<br>Hexagon nut                       | N<br>1 種 Type 1 1<br>3 種 Type 3 3                               |
|   |   | 平座金<br>Washer                              | R<br>小形丸 1<br>みがき丸 2<br>5                                       |
|   |   | ばね座金<br>Spring washer                      |   |
|   |   | E 型止め環<br>E-snap ring                      | S<br>E 型 Type E 1<br>G 型 Type G 2<br>GS 型 Type GS 3             |

## (2) 販売区分欄 The term of sale colum

| 記号 Mark | 説明  | Explanation                    |
|---------|---|--------------------------------|
| ○       | Can be Supplied individually  | 単独部品として販売するもの                  |
| △       | Not supplied individually but only as subassembly.                                    | 部組品でなければ販売しないもの                |
| ○△      | Supplied either as part or subassembly  | 単独部品でも部組品でも販売するもの              |
| ×       | Not considered as repair part   | 修理部品と考えないもの                    |
| ※       | Should be sent to the factory if the repair needed.                                   | 単体では交換できないので、組む場合に工場での加工が必要なもの |
| ☒       | Delivered as a product from the sales department (i. e., not supplied as repair part) | 商品として販売店で販売しているもの (修理部品扱いはしない) |

## (3) 備考欄 The remarks colum

|  |   |  |
|--|---|--|
| F-601M                                 | Part number used in common  | 共通部品番号                                 |
| (Blue × 125mm)                         | Lead wire (color × length)  | コードの色と長さ                               |
| 53F-2013<br>(FM-780028)                | Technical information ref. number<br>(number in parenthesis; English edition)   | 製品技術資料No ( )内は英文                       |
| (2.1×3.8 × 0.07)                       | Washer (internal diameter × external diameter × thickness)  | ワッシャー<br>(内径×外径×厚さ)                    |
| (Black)                                | Black-finished parts  | 黒部品                                    |
| (d=0.2)                                | Diameter of wire  | 線型=0.2                                 |
| (t= 1)                                 | Thickness   | 厚さ=1                                   |
| Rev.                                   | Revision  | 訂正                                     |
| Add.                                   | Addition  | 追加                                     |
| Dis.                                   | Discontinuation   | 廃止                                     |
| OLD                                    | Parts of the intial design  | 旧部品                                    |
| ◆                                      | Limited part  | R P 限定出庫部品                             |
| RP-9001                                | Repair part information No.   | R P 情報No.                              |
| R1... D1... W1...<br>C1... Q1... P1... | Abbreviation for electronic part  | 電気部品記号                                 |
| TA-0003                                | Number (TA-****) are order numbers of adhesive tape. (For the order of adhesive tape, the number 1K***-*** is not use). | 接着テープ要求部番<br>(1K***-*** では部品要求できません。)  |
| W-0056BE                               | Number (W-0056BE) are order numbers of Lead wire. (For the order of Lead wire, the number 1K***-*** is not use).        | リードワイヤ要求部番<br>(1S***-*** では部品要求できません。) |

\* VERSATILE PART

\* 既出部品

Apart maked with this pentagonal symblo is used commonly in the arcitecture of other products. That is called "VERSATILE PART". Note that every part, bearing new part number of eleven places, will turn into a VERSATILE PART when it is used in the design of future product.

テープ類TA設定部品一覧表

TAPES AND FILMS WITH PREFIX ALPHABETS TA Dec. 17, 1991

| 部品 No.<br>Part No. | 名称<br>Name of part                     | 色<br>Color        | 厚さ<br>Thickness<br>(t=mm) | 幅<br>Widths<br>(mm) | 長さ<br>Length<br>(m) | 要求単位<br>Q'ty for<br>a unit for<br>ordering |
|--------------------|--|-------------------|---------------------------|---------------------|---------------------|--|
| TA-0001            | ポリエステルフィルム<br>Tape                     | 透明<br>Transparent | 0.025                     | 10                  | 30                  | 1巻<br>1 roll                               |
| TA-0002            | ポリエステルフィルム<br>Tape                     | 透明<br>Transparent | 0.025                     | 20                  | 30                  | 1巻<br>1 roll                               |
| TA-0003            | 両面接着テープ<br>Both sided adhesive tape    | 白<br>White        | 0.16                      | 10                  | 2                   | 1巻<br>1 roll                               |
| TA-0004            | 両面接着テープ<br>Both sided adhesive tape    | 黒<br>Black        | 0.14                      | 12                  | 50                  | 1巻<br>1 roll                               |
| TA-0005            | ポリエステルフィルム<br>Tape                     | 黄<br>Yellow       | 0.06                      | 19                  | 66                  | 1巻<br>1 roll                               |
| TA-0006S           | アセテートクロス (シート)<br>Tape (200x120/sheet) | 黒<br>Black        | 0.23                      | 6                   | 200<br>(mm)         | 1set<br>(20pcs)                            |
| TA-0007            | 銅箔導電性<br>Tape, copper foil             | 銅箔<br>Copper foil | 0.11                      | 4                   | 6                   | 1巻<br>1 roll                               |
| TA-0008            | ポリエステルフィルム<br>Tape                     | 透明<br>Transparent | 0.055                     | 30                  | 30                  | 1巻<br>1 roll                               |
| TA-0009            | カプトンフィルム<br>Tape                       | 琥珀<br>Amber       | 0.07                      | 6                   | 30                  | 1巻<br>1 roll                               |
| TA-0010            | 両面接着テープ<br>Both sided adhesive tape    | 乳白色<br>Opal       | 0.16                      | 15                  | 36                  | 1巻<br>1 roll                               |
| TA-0011            | ポリエステルフィルム<br>Tape                     | 黒<br>Black        | 0.06                      | 10                  | 30                  | 1巻<br>1 roll                               |
| TA-0012            | ポリエステルフィルム<br>Tape                     | 透明<br>Transparent | 0.025                     | 6                   | 30                  | 1巻<br>1 roll                               |
| TA-0013            | アセテートクロス (シート)<br>Tape (200x120/sheet) | 黒<br>Black        | 0.23                      | 20                  | 200<br>(mm)         | 1set<br>(20pcs)                            |
|                    |  |                   |                           |                     |                     |  |
|                    |  |                   |                           |                     |                     |  |
|                    |  |                   |                           |                     |                     |  |
|                    |  |                   |                           |                     |                     |  |

リードワイヤー一覧表

LEAD WIRE LIST

DEC. 17, 1991

| 部品 No.<br>Part No. | 色<br>Color    | 外形<br>Diameter<br>(outer tube) | 導体サイズ<br>Pcs. /<br>Diameter<br>(lead wire) | 部品 No.<br>Part No. | 色<br>Color | 外形<br>Diameter<br>(outer tube) | 導体サイズ<br>Pcs. /<br>Diameter<br>(lead wire) |
|--------------------|---------------|--------------------------------|--|--------------------|------------|--------------------------------|--|
| W-0045BN           | Brown         | 0.45mm                         | 7×0.05mm                                   | W-0108BK           | Black      | 1.08mm                         | 7×0.16mm                                   |
| W-0045RE           | Red           | -ditto-                        | -ditto-                                    | W-0108BN           | Brown      | -ditto-                        | -ditto-                                    |
| W-0045OR           | Orange        | -ditto-                        | -ditto-                                    | W-0108RE           | Red        | -ditto-                        | -ditto-                                    |
| W-0045GN           | Green         | -ditto-                        | -ditto-                                    | W-0108OR           | Orange     | -ditto-                        | -ditto-                                    |
| W-0045BE           | Blue          | -ditto-                        | -ditto-                                    | W-0108YE           | Yellow     | -ditto-                        | -ditto-                                    |
| W-0045PU           | Purple        | -ditto-                        | -ditto-                                    | W-0108GN           | Green      | -ditto-                        | -ditto-                                    |
|                    |               |                                |  | W-0108BE           | Blue       | -ditto-                        | -ditto-                                    |
| W-0056BK           | Black         | 0.56mm                         | 7×0.08mm                                   | W-0108PU           | Purple     | -ditto-                        | -ditto-                                    |
| W-0056BN           | Brown         | -ditto-                        | -ditto-                                    | W-0108GY           | Gray       | -ditto-                        | -ditto-                                    |
| W-0056RE           | Red           | -ditto-                        | -ditto-                                    | W-0108WH           | White      | -ditto-                        | -ditto-                                    |
| W-0056OR           | Orange        | -ditto-                        | -ditto-                                    |                    |            |                                |  |
| W-0056YE           | Yellow        | -ditto-                        | -ditto-                                    | W-0120BK           | Black      | 1.2 mm                         | 7×0.18mm                                   |
| W-0056GN           | Green         | -ditto-                        | -ditto-                                    | W-0120BN           | Brown      | -ditto-                        | -ditto-                                    |
| W-0056BE           | Blue          | -ditto-                        | -ditto-                                    | W-0120RE           | Red        | -ditto-                        | -ditto-                                    |
| W-0056PU           | Purple        | -ditto-                        | -ditto-                                    | W-0120OR           | Orange     | -ditto-                        | -ditto-                                    |
| W-0056GY           | Gray          | -ditto-                        | -ditto-                                    | W-0120YE           | Yellow     | -ditto-                        | -ditto-                                    |
| W-0056WH           | White         | -ditto-                        | -ditto-                                    | W-0120GN           | Green      | -ditto-                        | -ditto-                                    |
| W-0056PK           | Pink          | -ditto-                        | -ditto-                                    | W-0120BE           | Blue       | -ditto-                        | -ditto-                                    |
|                    |               |                                |  | W-0120PU           | Purple     | -ditto-                        | -ditto-                                    |
|                    |               |                                |  | W-0120GY           | Gray       | -ditto-                        | -ditto-                                    |
|                    |               |                                |  | W-0120WH           | White      | -ditto-                        | -ditto-                                    |
| W-0080BK           | Black         | 0.80mm                         | 7×0.12mm                                   |                    |            |                                |  |
| W-0080BN           | Brown         | -ditto-                        | -ditto-                                    | W-0150BK           | Black      | 1.5 mm                         | 40×0.08mm                                  |
| W-0080RE           | Red           | -ditto-                        | -ditto-                                    | W-0150BN           | Brown      | -ditto-                        | -ditto-                                    |
| W-0080OR           | Orange        | -ditto-                        | -ditto-                                    | W-0150RE           | Red        | -ditto-                        | -ditto-                                    |
| W-0080YE           | Yellow        | -ditto-                        | -ditto-                                    | W-0150OR           | Orange     | -ditto-                        | -ditto-                                    |
| W-0080GN           | Green         | -ditto-                        | -ditto-                                    | W-0150YE           | Yellow     | -ditto-                        | -ditto-                                    |
| W-0080BE           | Blue          | -ditto-                        | -ditto-                                    | W-0150GN           | Green      | -ditto-                        | -ditto-                                    |
| W-0080PU           | Purple        | -ditto-                        | -ditto-                                    | W-0150BE           | Blue       | -ditto-                        | -ditto-                                    |
| W-0080GY           | Gray          | -ditto-                        | -ditto-                                    | W-0150PU           | Purple     | -ditto-                        | -ditto-                                    |
| W-0080WH           | White         | -ditto-                        | -ditto-                                    | W-0150GY           | Gray       | -ditto-                        | -ditto-                                    |
| W-0080LB           | Light<br>blue | -ditto-                        | -ditto-                                    | W-0150WH           | White      | -ditto-                        | -ditto-                                    |
|                    |               |                                |  |                    |            |                                |  |
|                    |               |                                |  |                    |            |                                |  |
|                    |               |                                |  |                    |            |                                |  |
|                    |               |                                |  |                    |            |                                |  |
|                    |               |                                |  |                    |            |                                |  |
| 1 roll=20m         |               |                                |  |                    |            |                                |  |
|                    |               |                                |  |                    |            |                                |  |
|                    |               |                                |  |                    |            |                                |  |
|                    |               |                                |  |                    |            |                                |  |



## 収縮チューブ一覧表

Thermal construction tube list

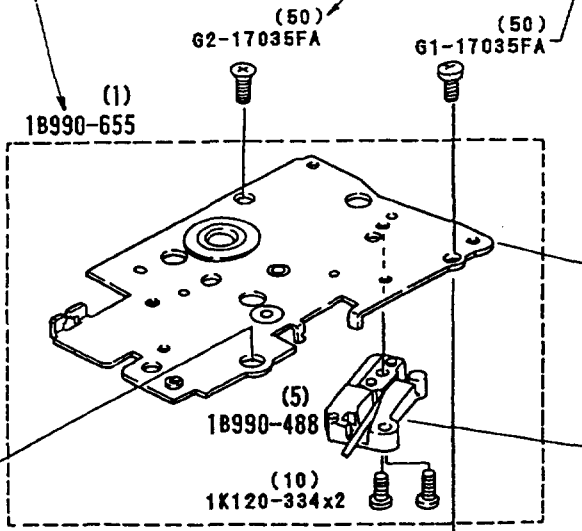
Dec. 17, 1991

| 部品 No.   | 名 称                                 | 直 径                    | 長 さ           | 備 考     |
|----------|-------------------------------------|------------------------|---------------|---------|
| Part No. | Name of part                        | Diameter<br>( $\phi$ ) | Length<br>(m) | Remarks |
| TU-0001  | 収縮チューブ<br>Thermal construction tube | 1.0 mm                 | 1             | RP-8925 |
| TU-0002  | 収縮チューブ<br>Thermal construction tube | 2.0 mm                 | 1             | RP-8925 |
| TU-0003  | 収縮チューブ<br>Thermal construction tube | 3.0 mm                 | 1             | RP-8925 |
| TU-0004  | 収縮チューブ<br>Thermal construction tube | 4.0 mm                 | 1             | RP-8925 |
|          |                                     |                        |               |         |
|          |                                     |                        |               |         |
|          |                                     |                        |               |         |
|          |                                     |                        |               |         |
|          |                                     |                        |               |         |
|          |                                     |                        |               |         |
|          |                                     |                        |               |         |
|          |                                     |                        |               |         |
|          |                                     |                        |               |         |
|          |                                     |                        |               |         |
|          |                                     |                        |               |         |
|          |                                     |                        |               |         |
|          |                                     |                        |               |         |
|          |                                     |                        |               |         |
|          |                                     |                        |               |         |
|          |                                     |                        |               |         |
|          |                                     |                        |               |         |
|          |                                     |                        |               |         |
|          |                                     |                        |               |         |
|          |                                     |                        |               |         |

# 展開図の見方 How to use explosion drawings

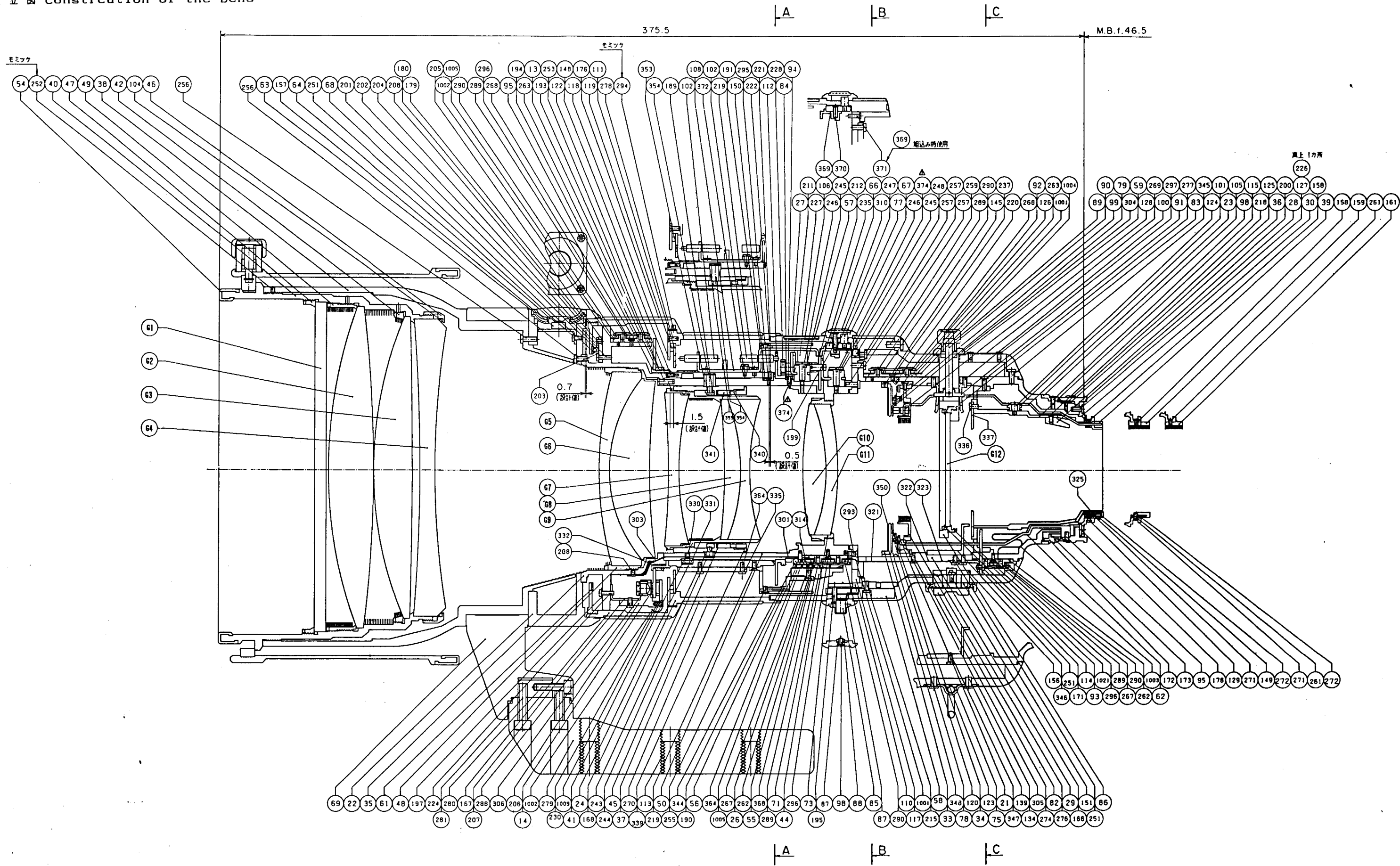
部組品 No.  
Assembly No. (component parts shown  
inside the broken line)

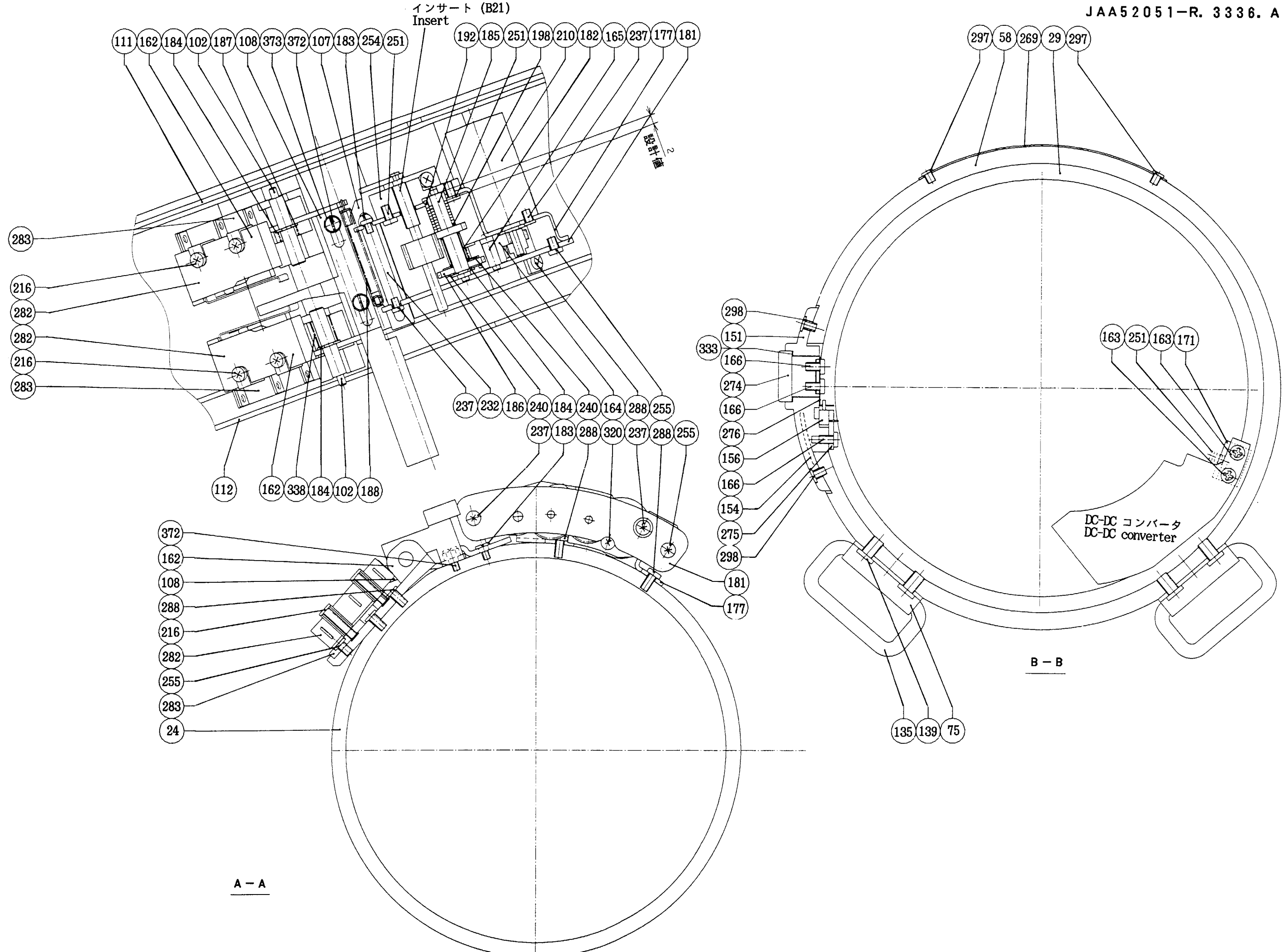
部品要求単位  
Quantity per order



部品番号  
Part No.

| 項目<br>Part Classification   | 販売区分<br>Term of Supply                                     | 記号<br>Mark |
|---|--|------------|
| 破線外で部番の入っているもの<br>Part with Part No., shown outside the broken line | 単部品で要求できるもの<br>Available as individual part                | ○          |
| 破線外で部番のないもの<br>Part without Part No., shown outside the broken line | 修理部品と考えないもの<br>Not available as repair part                | ×          |
| 破線内で部番のないもの<br>Part without Part No., shown inside the broken line. | 部組品でなければ要求できないもの<br>Available only as assembly.            | △          |
| 破線内で部番の入っているもの<br>Part with Part No., shown inside the broken line  | 単部品でも部組品でも要求できるもの<br>Available as assembly or individually | ○△         |





インサート (B21)  
Insert

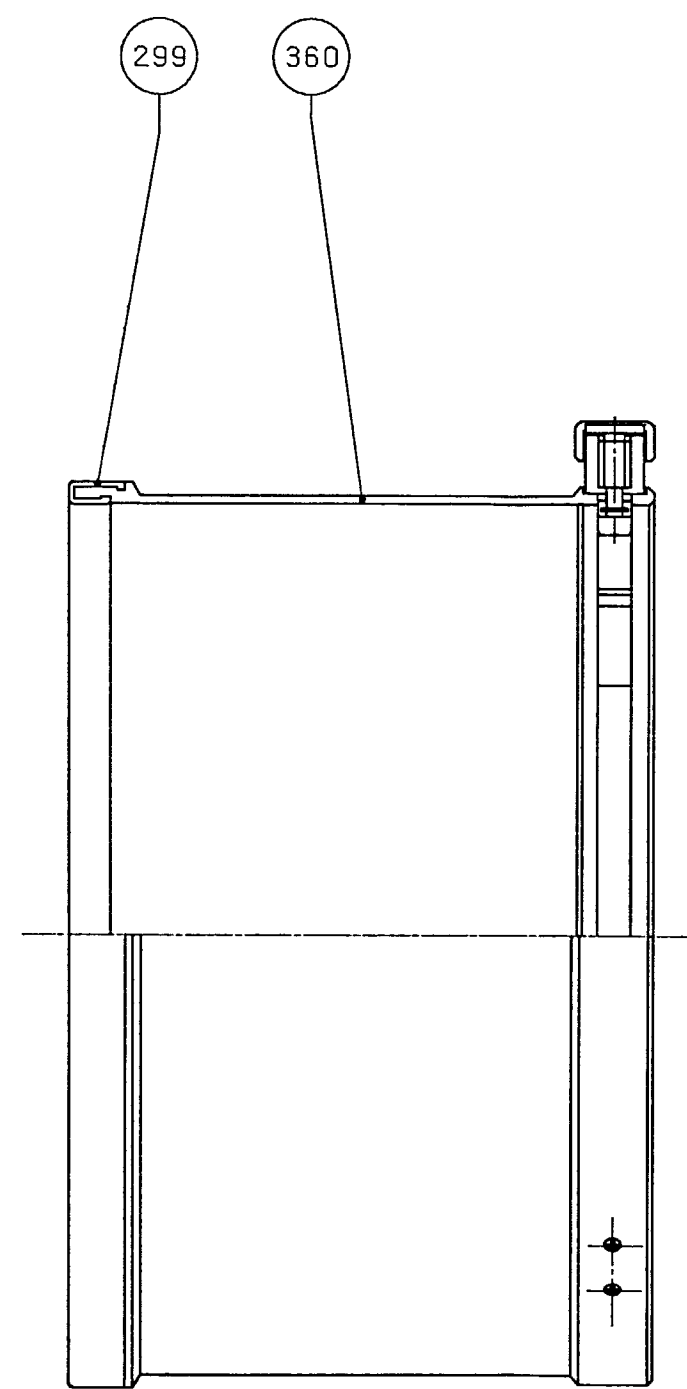
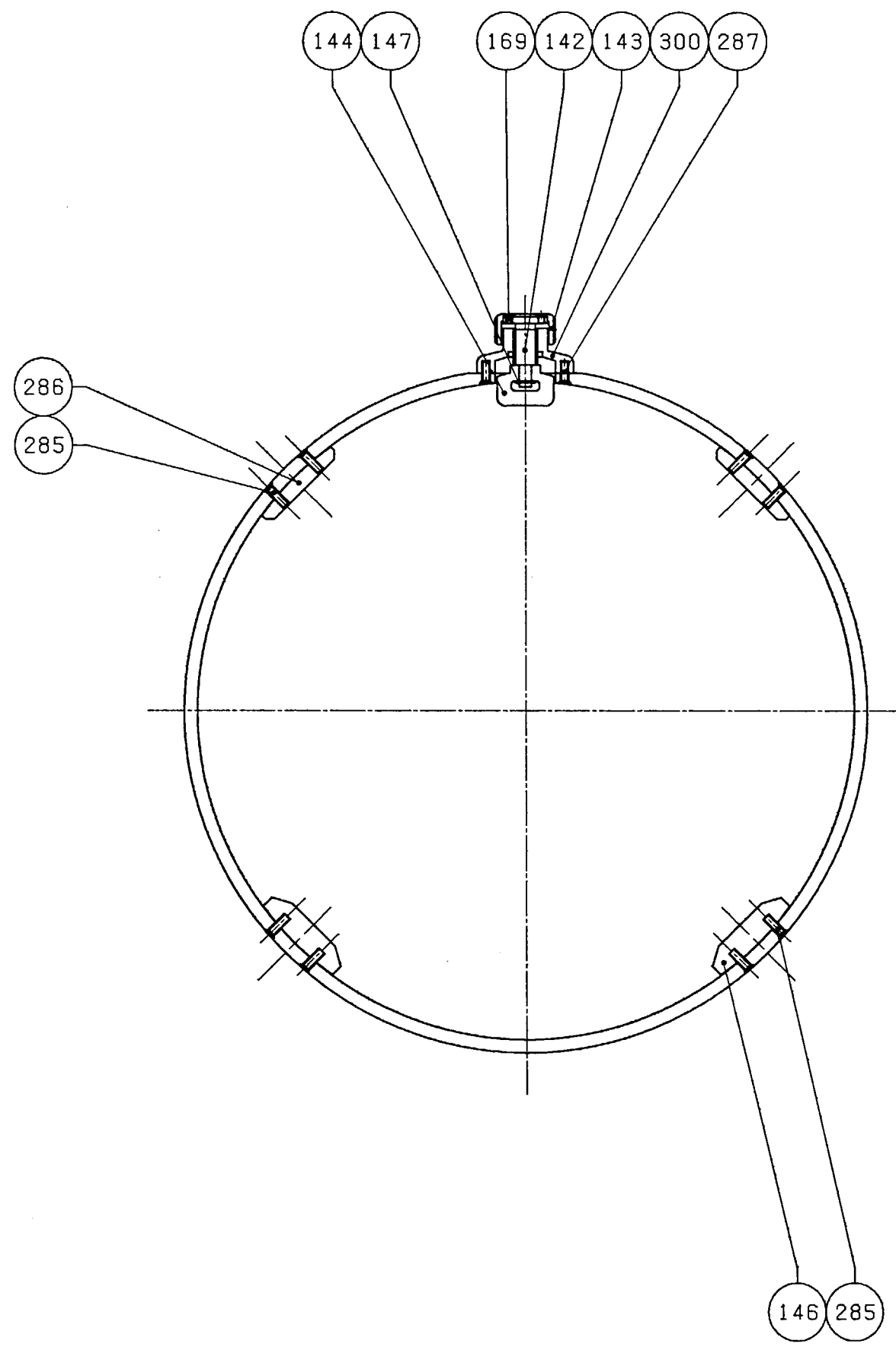
DC-DC コンバータ  
DC-DC converter

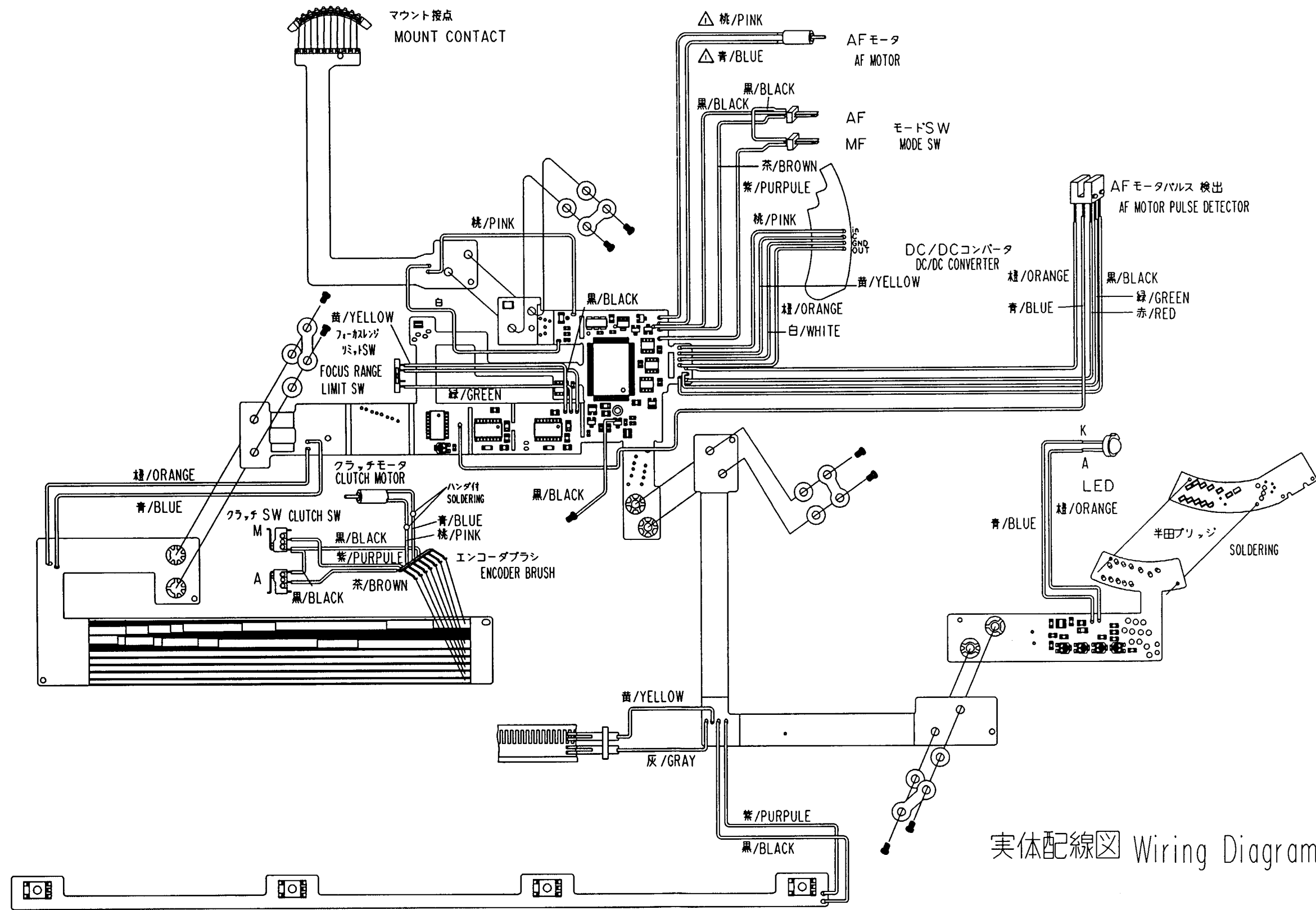
A - A

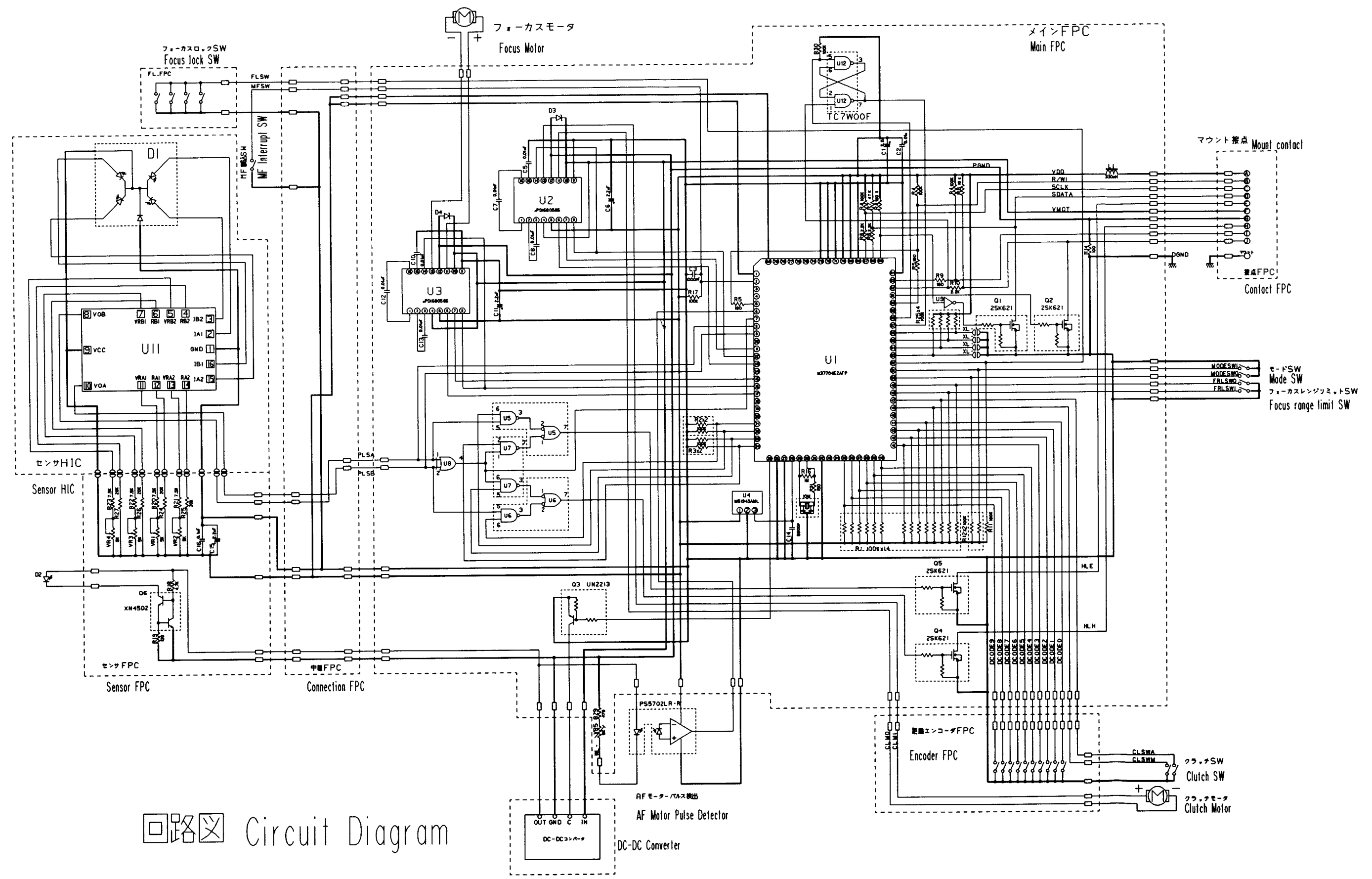
B - B

設計寸法  
2









回路図 Circuit Diagram

モードSW  
Mode SW  
フォーカスレンジリミットSW  
Focus range limit SW

クラッチSW  
Clutch SW  
クラッチモータ  
Clutch Motor

AF モーターパルス検出  
AF Motor Pulse Detector  
DC-DCコンバータ  
DC-DC Converter

エンコーダFPC  
Encoder FPC

センサFPC  
Sensor FPC

接続FPC  
Connection FPC

メインFPC  
Main FPC

フォーカスマータ  
Focus Motor

フォーカスロックSW  
Focus lock SW

MF Interrupt SW

マウント接点  
Mount contact

接触FPC  
Contact FPC

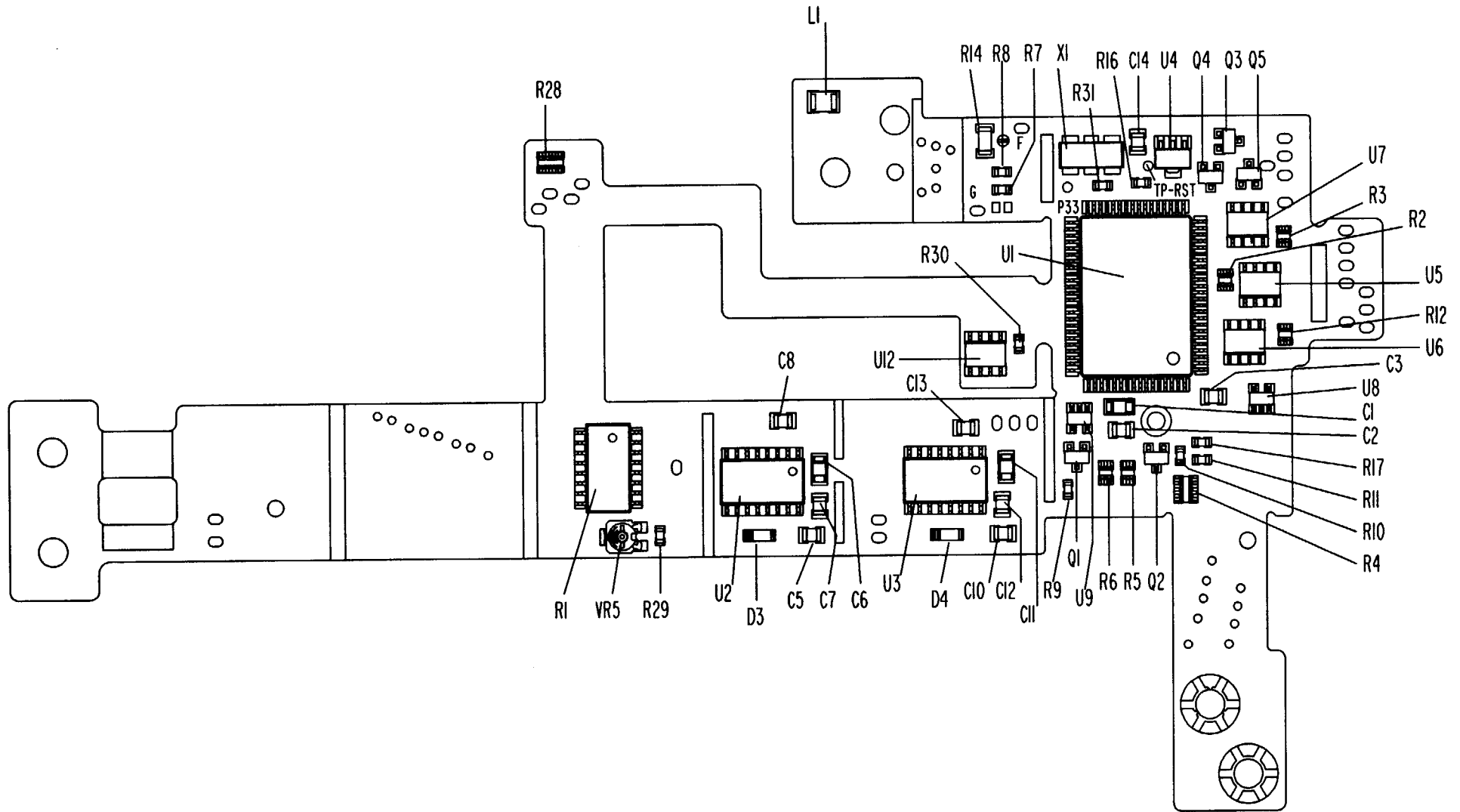
センサHIC  
Sensor HIC

センサFPC  
Sensor FPC

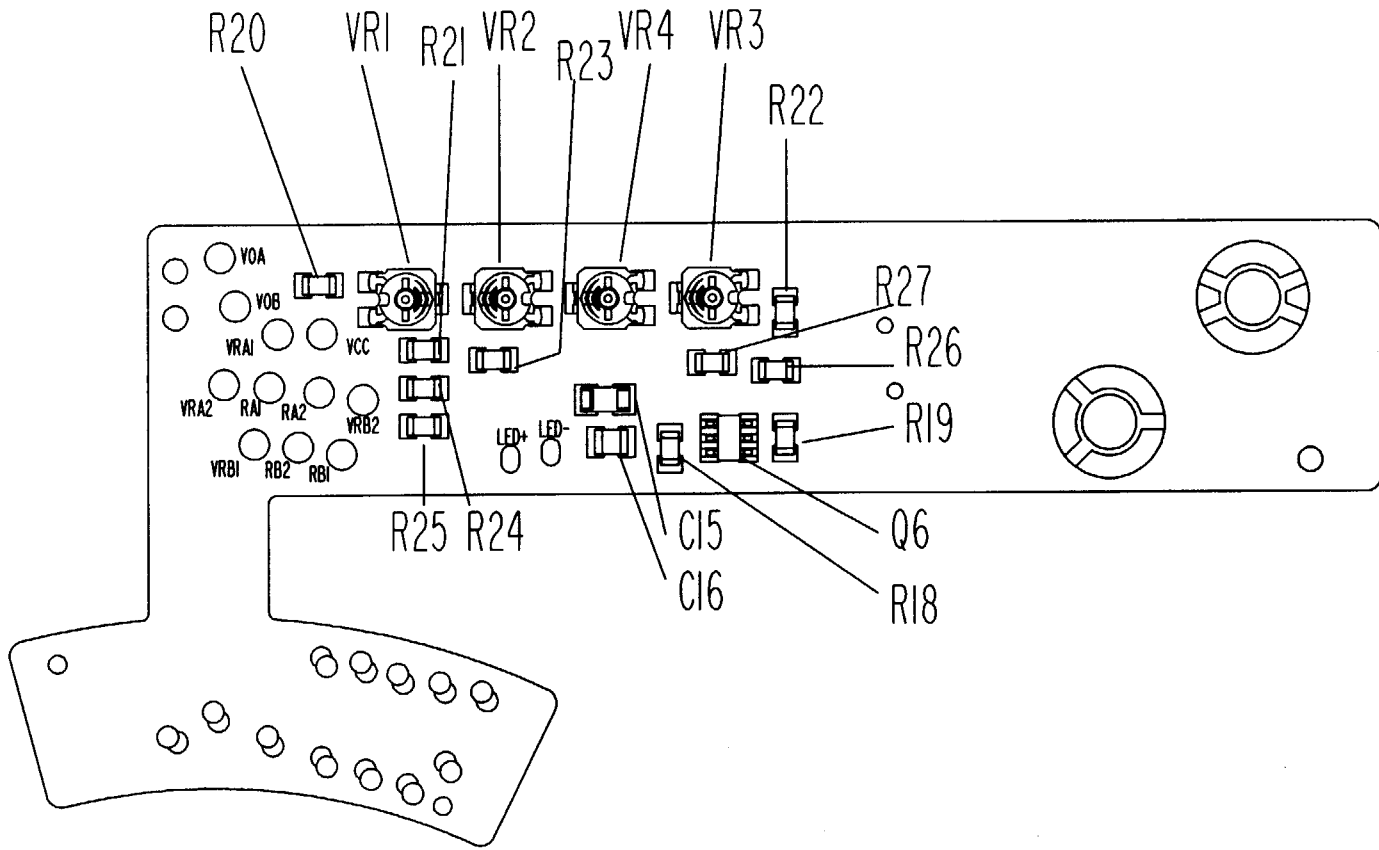
エンコーダFPC  
Encoder FPC



# MAIN FPC



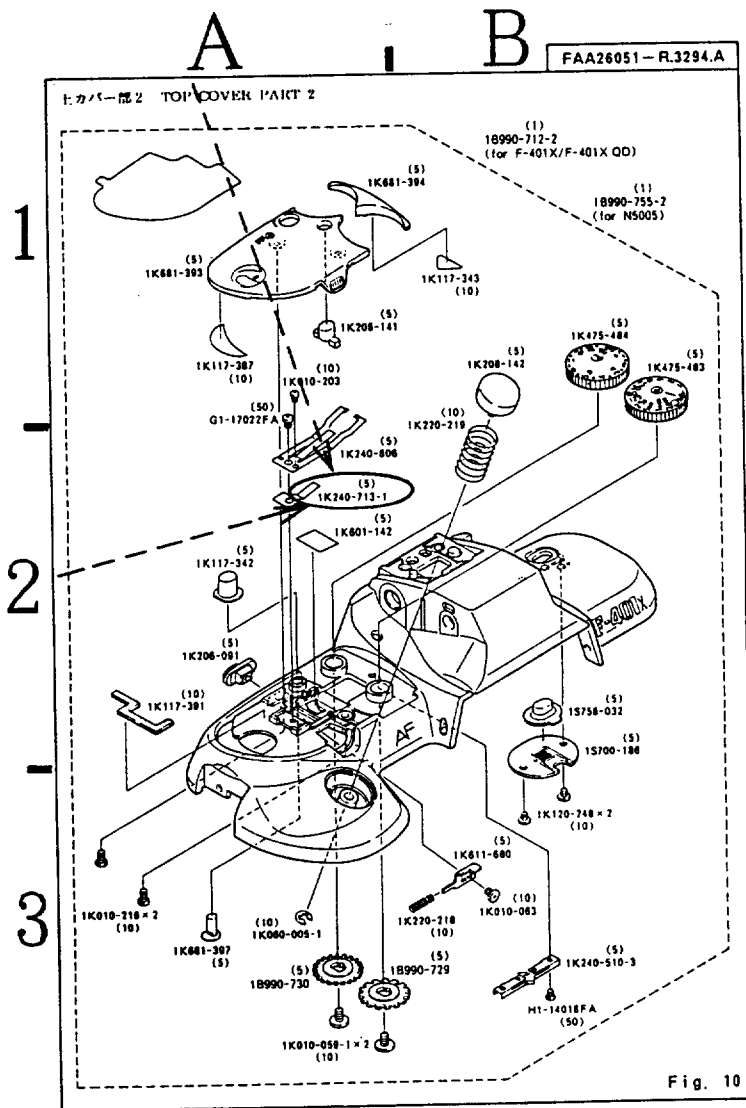
# LED FPC



展開図中の部品位置を確認する手順  
HOW TO FIND THE PART WITH PART NUMBER  
IN THE DRAWING

部品表 Parts List

| 部品番号<br>Part No. | 補助番号<br>Ckt No. | 名称<br>Name                       | 1台分<br>個数<br>Qty Per<br>Unit | 部組品番号<br>Assembly | 参照<br>図番<br>Fig.<br>No | 販売区分<br>Class. of<br>Salabil-<br>ity | 備考<br>Remarks   | 要求単位<br>Order<br>Unit<br>Qty |
|------------------|-----------------|----------------------------------|------------------------------|-------------------|------------------------|--------------------------------------|-----------------|------------------------------|
| *1K240-516       | 573             | シュー座板バネ<br>Accessory shoe spring | 1                            | 1B990-712-2       | 9<br>A1                | ○△                                   | F-401S<br>F-601 | 5                            |
| *1K240-713-1     | 527             | ロックバネB<br>Lock spring B          | 1                            | 1B990-712-2       | 10<br>A2               | ○△                                   |                 | 5                            |



① 部品表の参照図番欄のコードを見る。

Please refer to the letters written in the Fig. No. Column.

② 9, 10等の数字は図面番号を示す。

The numbers 9 and 10 mean the Fig. number.

③ A1, A2等のアルファベットと数字の組み合わせは、図面中の部品の位置を示す。

例 A, B... は横方向の位置を示す。  
1, 2... は縦方向の位置を示す。

※ よって1K240-713-1 はAと2が示す範囲内にある。

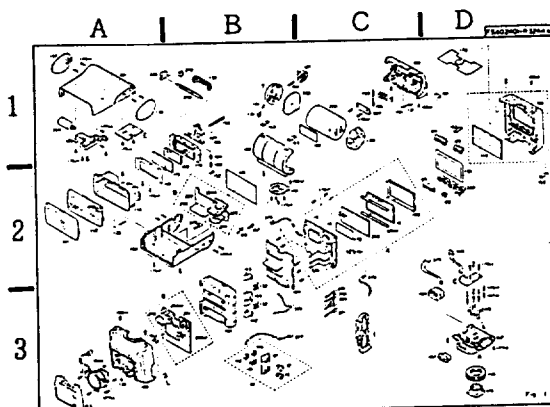
The combinations of alphabets and numbers, A1 and A2, point out the place of relevant parts in the drawing.

Example)

Alphabets like A and B point out the places along the horizontal direction.

Numbers like 1 and 2 point out the places along the vertical direction.

※It means that the part No. 1K240-713-1 is existing in the area where A and 2 are crossing.



④ 例外 -- ビス, ワッシャー等は Fig No. のみ記載する。

As for screws and washers and the like, no code number showing existing place is discribed in the Fig. No. Column, but only the relevant drawing number (Fig. No.) is stated.

展開図 Exploded Drawings

JAA52051-R.3336. B

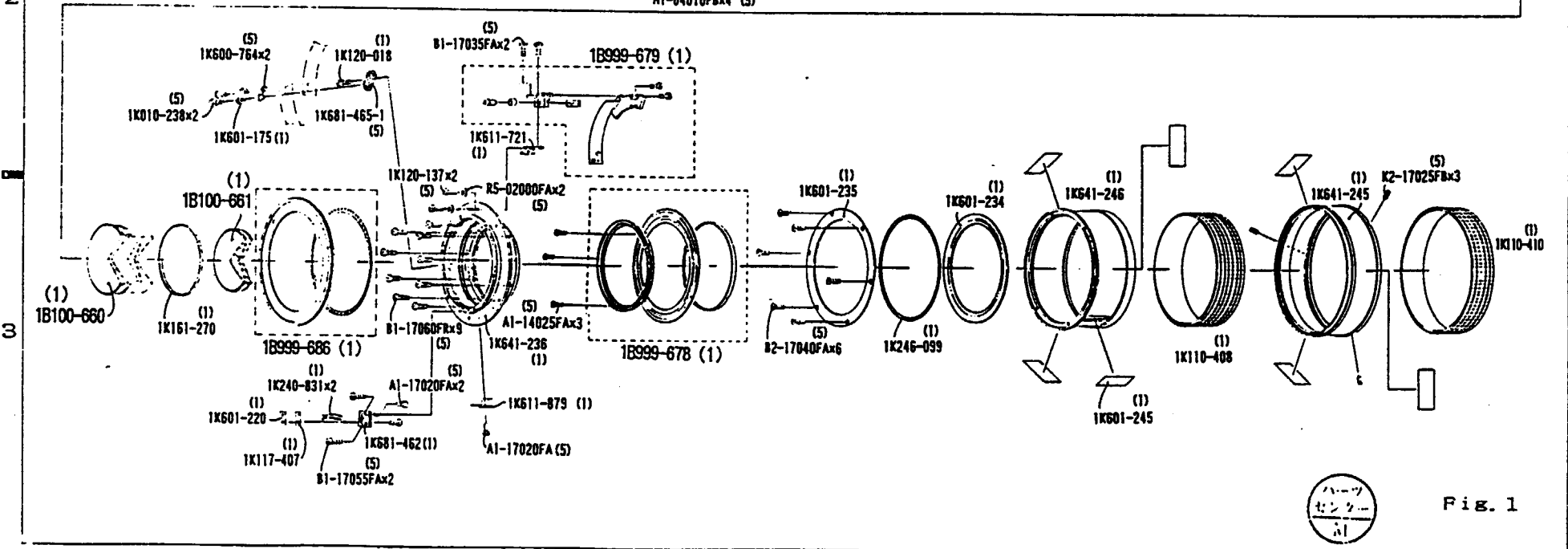
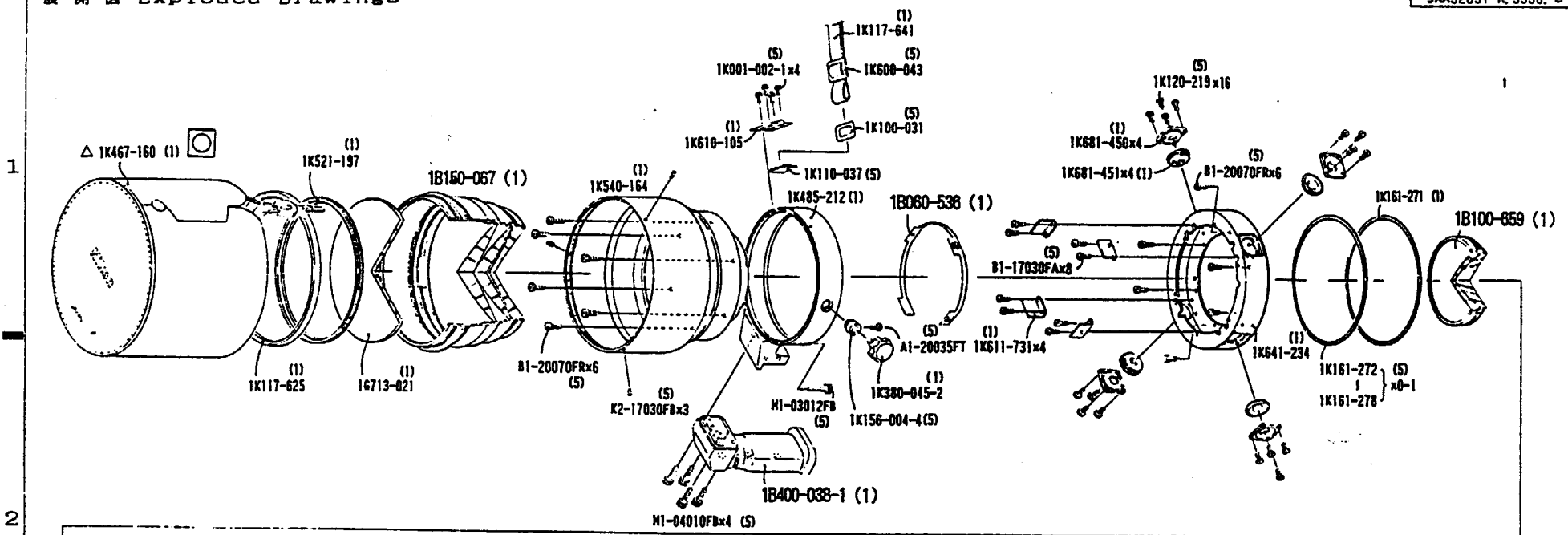


Fig. 1

Change page(差し替え) Δ×1

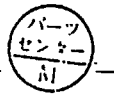
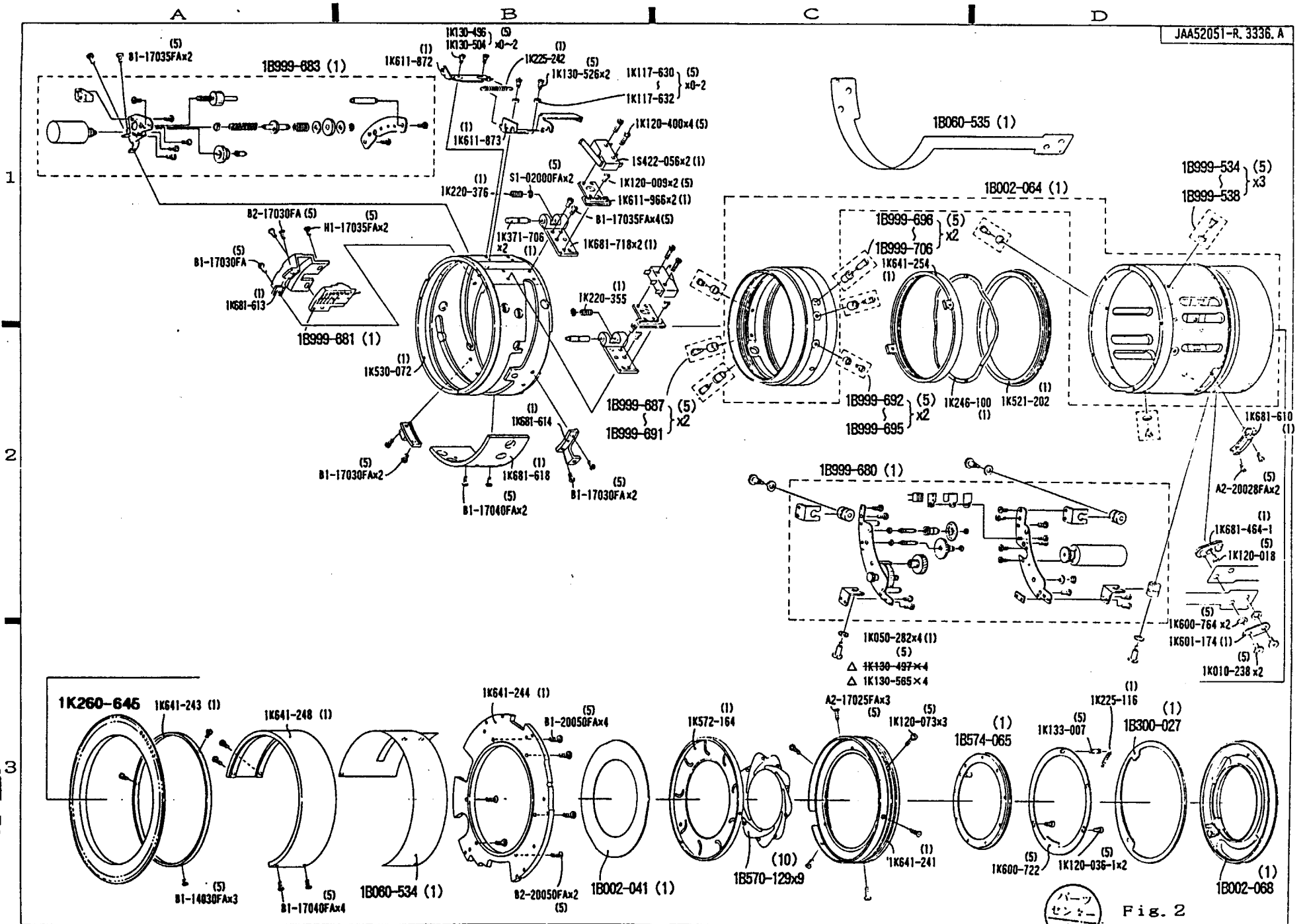


Fig. 2

Change page(差し替え) Δ x2

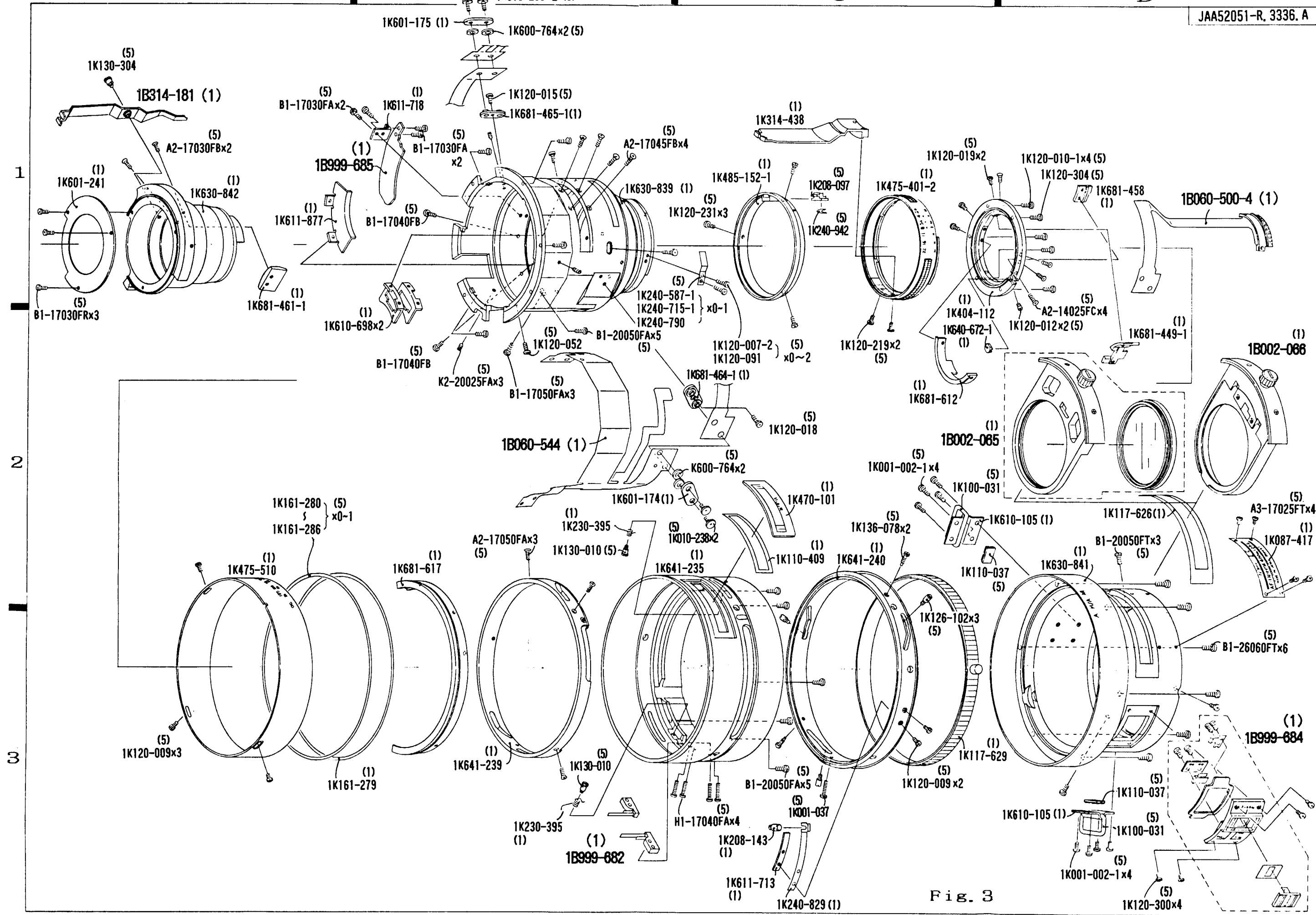


Fig. 3

## 〔2〕 部品表 Parts List

AF-I 400/2.8D

JAA52051-R. 3336. A

| 部品番号<br>Part No.            | 補助番号<br>Ckt No. | 名称<br>Name                | 1台分<br>個数<br>Pcs. Per<br>Unit | 部組品番号<br>Assembly | 参照<br>図番<br>Fig.<br>No.  | 販売区分<br>Term of<br>Delivery | 備考<br>Remarks | 要求単位<br>Qty per<br>order |
|-----------------------------|-----------------|---------------------------|-------------------------------|-------------------|--------------------------|-----------------------------|---------------|--------------------------|
| *1K001-002-1<br>(1K001-002) | 139             | Screw                     | 12                            |                   | 1-B1<br>3-C2<br>3-D3     | ○                           |               | 5                        |
| 1K001-037                   | 195             | Screw                     | 1                             |                   | 3<br>C3                  | ○                           |               | 5                        |
| *1K010-238                  | 289             | Screw                     | 8                             |                   | 1-A2<br>2-D3<br>3-B1. C2 | ○                           |               | 5                        |
| *1K050-282                  | 374             | Washer                    | 4                             |                   | 2<br>C3                  | ○                           |               | 1                        |
| 1K087-417                   | 269             | 銘板<br>Name plate          | 1                             |                   | 3<br>D2                  | ○                           | No. 200001 ~  | 1                        |
| *1K100-031                  | 135             | 吊り環<br>Eyelet             | 3                             |                   | 1-C1<br>3-C2<br>3-D3     | ○                           |               | 5                        |
| *1K110-037                  | 123             | ゴム板<br>Rubber plate       | 3                             |                   | 1-C1<br>3-C2<br>3-D3     | ○                           |               | 5                        |
| 1K110-408                   | 37              | ゴムリング<br>Rubber ring      | 1                             |                   | 1<br>D3                  | ○                           |               | 1                        |
| 1K110-409                   | 106             | 両面テープ<br>Tape             | 1                             |                   | 3<br>C2                  | ○                           |               | 1                        |
| 1K110-410                   | 176             | ゴムリング<br>Rubber ring      | 1                             |                   | 1<br>D3                  | ○                           |               | 1                        |
| 1K117-228                   | 327             | コード整理用テープ 5 X 1 0<br>Tape | 1                             |                   |                          | ×                           | TA-0006S      | 1 set<br>(20pcs)         |
| *1K117-407                  | 203             | マイラーシート<br>Sheet          | 1                             |                   | 1<br>A3                  | ○                           |               | 1                        |
| 1K117-625                   | 54              | 保護ゴム<br>Cover ring        | 1                             |                   | 1<br>A1                  | ○                           |               | 1                        |
| 1K117-626                   | 59              | 両面テープ<br>Tape             | 1                             |                   | 3<br>D2                  | ○                           |               | 1                        |
| 1K117-629                   | 310             | ゴムリング<br>Rubber ring      | 1                             |                   | 3<br>C3                  | ○                           |               | 1                        |
|                             |                 |                           |                               |                   |                          |                             |               |                          |
|                             |                 |                           |                               |                   |                          |                             |               |                          |
|                             |                 |                           |                               |                   |                          |                             |               |                          |

部品表 Parts List

AF-I 400/2.8D

JAA52051-R.3336.A

| 部品番号<br>Part No.            | 補助番号<br>Ckt No. | 名称<br>Name                | 1台分<br>個数<br>Pcs. Per<br>Unit | 部組品番号<br>Assembly      | 参照<br>図番<br>Fig.<br>No. | 販売区分<br>Term of<br>Delivery | 備考<br>Remarks | 要求単位<br>Q'ty per<br>order |
|-----------------------------|-----------------|---------------------------|-------------------------------|------------------------|-------------------------|-----------------------------|---------------|---------------------------|
| 1K117-630                   | 373             | ガイド環 t=1.5<br>Guide ring  | 0-2                           |                        | 2<br>B1                 | ○                           |               | 5                         |
| 1K117-631                   |                 | ガイド環 t=1.45<br>Guide ring | 0-2                           |                        | 2<br>B1                 | ○                           |               | 5                         |
| 1K117-632                   |                 | ガイド環 t=1.4<br>Guide ring  | 0-2                           |                        | 2<br>B1                 | ○                           |               | 5                         |
| 1K117-641                   | 130             | Belt                      | 1                             |                        | 1<br>C1                 | ○                           |               | 1                         |
| *1K120-007-2                | 125             | Screw                     | 0-2                           |                        | 3<br>C1                 | ○                           |               | 5                         |
| *1K120-009                  | 255             | Screw                     | 5                             | 1B999-683              | 2-B1<br>3-A3<br>3-C3    | ○△                          |               | 5                         |
| *1K120-010-1<br>(1K120-010) | 127             | Screw                     | 4                             |                        | 3<br>D1                 | ○                           |               | 5                         |
| *1K120-012                  | 129             | Screw                     | 1                             |                        | 3<br>D1                 | ○                           |               | 5                         |
| *1K120-015                  | 237             | Screw                     | 8                             | 1B999-680<br>1B999-683 | 3<br>B1                 | ○△                          |               | 5                         |
| *1K120-018                  | 296             | Screw                     | 3                             |                        | 1-A2<br>1-D2<br>3-C2    | ○                           |               | 5                         |
| *1K120-019                  | 158             | Screw                     | 4                             |                        | 3<br>C1                 | ○                           |               | 5                         |
| *1K120-036-1<br>(1K120-036) | 120             | Screw                     | 2                             |                        | 2<br>D3                 | ○                           |               | 5                         |
| *1K120-052                  | 305             | Screw                     | 1                             |                        | 3<br>B2                 | ○                           |               | 5                         |
| *1K120-073                  | 126             | Screw                     | 3                             |                        | 2<br>C3                 | ○                           |               | 5                         |
| *1K120-091                  | 125             | Screw                     | 0-2                           |                        | 3<br>C1                 | ○                           |               | 5                         |
|                             |                 |                           |                               |                        |                         |                             |               |                           |
|                             |                 |                           |                               |                        |                         |                             |               |                           |
|                             |                 |                           |                               |                        |                         |                             |               |                           |



部品表 Parts List

AF-I 400/2.8D

JAA52051-R.3336.A

| 部品番号<br>Part No. | 補助番号<br>Ckt No. | 名称<br>Name | 1台分<br>個数<br>Pcs. Per<br>Unit | 部組品番号<br>Assembly | 参照<br>図番<br>Fig.<br>No. | 販売区分<br>Term of<br>Delivery | 備考<br>Remarks | 要求単位<br>Q'ty per<br>order |
|------------------|-----------------|------------|-------------------------------|-------------------|-------------------------|-----------------------------|---------------|---------------------------|
| *1K120-137       | 224             | Screw      | 2                             |                   | 1<br>B3                 | ○                           |               | 5                         |
| *1K120-219       | 95              | Screw      | 18                            |                   | 1-C1<br>3-C2            | ○                           |               | 5                         |
| *1K120-231       | 98              | Screw      | 5                             |                   | 3<br>C1                 | ○                           |               | 5                         |
| *1K120-300       | 298             | Screw      | 4                             |                   | 3<br>D3                 | ○                           |               | 5                         |
| *1K120-304       | 226             | Screw      | 1                             |                   | 3<br>D1                 | ○                           |               | 5                         |
| 1K120-400        | 216             | Screw      | 4                             |                   | 2<br>B1                 | ○                           |               | 5                         |
| *1K126-102       | 77              | Screw      | 3                             |                   | 3<br>C3                 | ○                           |               | 5                         |
| *1K130-010       | 248             | Screw      | 2                             |                   | 3-B2<br>3-B3            | ○                           |               | 5                         |
| *1K130-304       | 124             | Screw      | 1                             |                   | 3<br>A1                 | ○                           |               | 5                         |
| *1K130-496       | 183             | Screw      | 0-2                           |                   | 2<br>B1                 | ○                           |               | 5                         |
| △ *1K130-497     | 246             | Screw      | 4                             |                   | 2<br>C3                 | ○                           | RP-9583       | 5                         |
| △ *1K130-565     |                 |            |                               |                   |                         |                             |               |                           |
| *1K130-504       | 183             | Screw      | 0-2                           |                   | 2<br>B1                 | ○                           |               | 5                         |
| 1K130-526        | 372             | Screw      | 2                             |                   | 2<br>B1                 | ○                           |               | 5                         |
| *1K133-007       | 99              | Screw      | 1                             |                   | 2<br>D3                 | ○                           |               | 5                         |
| 1K136-078        | 199             | Screw      | 2                             |                   | 3<br>C2                 | ○                           |               | 5                         |
| *1K156-004-4     | 309             | Nut        | 2                             |                   | 1<br>C1                 | ○                           |               | 5                         |
|                  |                 |            |                               |                   |                         |                             |               |                           |
|                  |                 |            |                               |                   |                         |                             |               |                           |

Change page (差し替え) △×2

OCT. 3. 1995



部品表 Parts List

AF-I 400/2.8D

JAA52051-R.3336.A

| 部品番号<br>Part No. | 補助番号<br>Ckt No. | 名称<br>Name    | 1台分<br>個数<br>Pcs. Per<br>Unit | 部組品番号<br>Assembly | 参照<br>図番<br>Fig.<br>No. | 販売区分<br>Term of<br>Delivery | 備考<br>Remarks | 要求単位<br>Qty per<br>order |
|------------------|-----------------|---------------|-------------------------------|-------------------|-------------------------|-----------------------------|---------------|--------------------------|
| 1K161-270        | 122             | Washer t=2.5  | 1                             |                   | 1<br>A3                 | ○                           |               | 1                        |
| 1K161-271        | 179             | Washer t=0.3  | 1                             |                   | 1<br>D1                 | ○                           |               | 1                        |
| 1K161-272        | 180             | Washer t=0.2  | 0                             |                   | 1<br>D1                 | ○                           |               | 1                        |
| 1K161-273        |                 | Washer t=0.1  | 0                             |                   | 1<br>D1                 | ○                           |               | 1                        |
| 1K161-274        |                 | Washer t=0.05 | 0                             |                   | 1<br>D1                 | ○                           |               | 1                        |
| 1K161-275        |                 | Washer t=0.06 | 0                             |                   | 1<br>D1                 | ○                           |               | 1                        |
| 1K161-276        |                 | Washer t=0.07 | 0                             |                   | 1<br>D1                 | ○                           |               | 1                        |
| 1K161-277        |                 | Washer t=0.08 | 0                             |                   | 1<br>D1                 | ○                           |               | 1                        |
| 1K161-278        |                 | Washer t=0.09 | 0                             |                   | 1<br>D1                 | ○                           |               | 1                        |
| 1K161-279        |                 | 221           | Washer t=0.3                  | 1                 |                         | 3<br>A3                     | ○             |                          |
| 1K161-280        | 222             | Washer t=0.2  | 0                             |                   | 3<br>A3                 | ○                           |               | 1                        |
| 1K161-281        |                 | Washer t=0.1  | 0                             |                   | 3<br>A3                 | ○                           |               | 1                        |
| 1K161-282        |                 | Washer t=0.05 | 0                             |                   | 3<br>A3                 | ○                           |               | 1                        |
| 1K161-283        |                 | Washer t=0.06 | 0                             |                   | 3<br>A3                 | ○                           |               | 1                        |
| 1K161-284        |                 | Washer t=0.07 | 0                             |                   | 3<br>A3                 | ○                           |               | 1                        |
| 1K161-285        |                 | Washer t=0.08 | 0                             |                   | 3<br>A3                 | ○                           |               | 1                        |
| 1K161-286        |                 | Washer t=0.09 | 0                             |                   | 3<br>A3                 | ○                           |               | 1                        |
|                  |                 |               |                               |                   |                         |                             |               |                          |

部品表 Parts List

AF-I 400/2.8D

JAA52051-R.3336.A

| 部品番号<br>Part No.          | 補助番号<br>Ckt No. | 名称<br>Name                | 1台分<br>個数<br>Pcs. Per<br>Unit | 部組品番号<br>Assembly | 参照<br>図番<br>Fig.<br>No. | 販売区分<br>Term of<br>Delivery | 備考<br>Remarks | 要求単位<br>Q'ty per<br>order |
|---------------------------|-----------------|---------------------------|-------------------------------|-------------------|-------------------------|-----------------------------|---------------|---------------------------|
| *1K208-097                | 172             | ロック釦<br>Lock button       | 1                             |                   | 3<br>C1                 | ○                           |               | 5                         |
| *1K208-143                | 85              | マクロ釦<br>Macro button      | 1                             |                   | 3<br>C3                 | ○                           |               | 1                         |
| *1K220-355                | 187             | Spring                    | 1                             |                   | 2<br>B1                 | ○                           |               | 1                         |
| 1K220-376                 | 338             | Spring                    | 1                             |                   | 2<br>B1                 | ○                           |               | 1                         |
| *1K225-116                | 96              | Spring                    | 1                             |                   | 2<br>D3                 | ○                           |               | 1                         |
| 1K225-242                 | 188             | Spring                    | 1                             |                   | 2<br>B1                 | ○                           |               | 1                         |
| 1K230-395                 | 247             | Spring                    | 2                             |                   | 3<br>B2                 | ○                           |               | 1                         |
| *1K240-942<br>(1K240-563) | 173             | EEロックバネ<br>EE lock spring | 1                             |                   | 3<br>C1                 | ○                           |               | 5                         |
| *1K240-587-1              | 36              | 板バネ t=0.2<br>Leaf spring  | 0                             |                   | 3<br>C1                 | ○                           |               | 1                         |
| *1K240-715-1              |                 | 板バネ t=0.18<br>Leaf spring | 0                             |                   | 3<br>C1                 | ○                           |               | 1                         |
| *1K240-790                |                 | 板バネ t=0.15<br>Leaf spring | 0                             |                   | 3<br>C1                 | ○                           |               | 1                         |
| *1K240-829                | 87              | 曲げ板<br>Bent plate         | 1                             |                   | 3<br>C3                 | ○                           |               | 1                         |
| *1K240-831                | 201             | ブラシ<br>Brush              | 2                             |                   | 1<br>A3                 | ○                           |               | 1                         |
| 1K246-099                 | 119             | 波形ワッシャー<br>Washer         | 1                             |                   | 1<br>C3                 | ○                           |               | 1                         |
| 1K246-100                 | 340             | 波形ワッシャー<br>Washer         | 1                             |                   | 2<br>C2                 | ○                           |               | 1                         |
| 1K314-438                 | 62              | 連動レバー<br>Lever            | 1                             |                   | 3<br>C1                 | ○                           |               | 1                         |
|                           |                 |                           |                               |                   |                         |                             |               |                           |
|                           |                 |                           |                               |                   |                         |                             |               |                           |

部品表 Parts List

AF-I 400/2.8D

JAA52051-R.3336.B

| 部品番号<br>Part No.            | 補助番号<br>Ckt No. | 名称<br>Name                      | 1台分<br>個数<br>Pcs. Per<br>Unit | 部組品番号<br>Assembly | 参照<br>図番<br>Fig.<br>No. | 販売区分<br>Term of<br>Delivery | 備考<br>Remarks | 要求単位<br>Q'ty per<br>order |
|-----------------------------|-----------------|---------------------------------|-------------------------------|-------------------|-------------------------|-----------------------------|---------------|---------------------------|
| *1K371-706                  | 102             | 軸<br>Axle                       | 2                             |                   | 2<br>B1                 | ○                           |               | 1                         |
| 1K380-045-2                 | 70              | クランプネジ                          | 1                             |                   | 1<br>C2                 | ○                           |               | 1                         |
| *1K404-112                  | 30              | バヨネット<br>Bayonet mount          | 1                             |                   | 3<br>C1                 | ○                           |               | 1                         |
| △ 1K467-160                 | 366             | キャップ<br>Cap                     | 1                             |                   | 1<br>A1                 | ○                           | RP-9603       | 1                         |
| 1K470-101                   | 57              | アクリル窓<br>Acryle plate           | 1                             |                   | 3<br>C2                 | ○                           |               | 1                         |
| *1K475-401-2<br>(1K475-401) | 28              | 絞り環<br>Diaphragm ring           | 1                             |                   | 3<br>C1                 | ○                           |               | 1                         |
| 1K475-510                   | 26              | 距離環<br>Focus ring               | 1                             |                   | 3<br>A3                 | ○                           |               | 1                         |
| *1K485-152-1<br>(1K485-152) | 105             | 指標環<br>Index ring               | 1                             |                   | 3<br>C1                 | ○                           |               | 1                         |
| 1K485-212                   | 69              | 三脚座リング<br>Tripod attaching ring | 1                             |                   | 1<br>C1                 | ○                           |               | 1                         |
| 1K521-197                   | 47              | G1 押さえ環<br>G1 retaining ring    | 1                             |                   | 1<br>A1                 | ○                           |               | 1                         |
| 1K521-202                   | 339             | 押さえ環<br>Retaining ring          | 1                             |                   | 2<br>D2                 | ○                           |               | 1                         |
| 1K530-072                   | 24              | リード溝環<br>Inner tube             | 1                             |                   | 2<br>B2                 | ○                           |               | 1                         |
| 1K540-164                   | 38              | 鏡筒<br>Lens barrel               | 1                             |                   | 1<br>B1                 | ○                           |               | 1                         |
| 1K572-164                   | 33              | 羽根基板<br>Blade mount plate       | 1                             |                   | 2<br>C3                 | ○                           |               | 1                         |
| *1K600-043                  | 131             | Plate                           | 2                             |                   | 1<br>C1                 | ○                           |               | 5                         |
| *1K600-722                  | 79              | Plate                           | 1                             |                   | 2<br>D3                 | ○                           |               | 5                         |
| *1K600-764                  | 290             | 圧接ゴム<br>Rubber                  | 8                             |                   | 1-A2. D2<br>3-B1. C2    | ○                           |               | 5                         |
|                             |                 |                                 |                               |                   |                         |                             |               |                           |



部品表 Parts List

AF-I 400/2.8D

JAA52051-R. 3336. A

| 部品番号<br>Part No. | 補助番号<br>Ckt No. | 名称<br>Name              | 1台分<br>個数<br>Pcs. Per<br>Unit | 部組品番号<br>Assembly | 参照<br>図番<br>Fig.<br>No. | 販売区分<br>Term of<br>Delivery | 備考<br>Remarks | 要求単位<br>Q'ty per<br>order |
|------------------|-----------------|-------------------------|-------------------------------|-------------------|-------------------------|-----------------------------|---------------|---------------------------|
| *1K601-174       | 267             | Plate                   | 2                             |                   | 2-D3<br>3-C2            | ○                           |               | 1                         |
| *1K601-175       | 268             | Plate                   | 2                             |                   | 1-A2<br>3-B1            | ○                           |               | 1                         |
| *1K601-220       | 204             | Plate                   | 1                             |                   | 1<br>A3                 | ○                           |               | 1                         |
| 1K601-234        | 111             | Plate                   | 1                             |                   | 1<br>C3                 | ○                           |               | 1                         |
| 1K601-235        | 118             | 押さえ板<br>Retaining plate | 1                             |                   | 1<br>C3                 | ○                           |               | 1                         |
| 1K601-241        | 337             | Plate                   | 1                             |                   | 3<br>A1                 | ○                           |               | 1                         |
| 1K601-245        | 270             | Plate                   | 1                             |                   | 1<br>C3                 | ○                           |               | 1                         |
| *1K610-105       | 75              | 曲げ板<br>Bent plate       | 3                             |                   | 1-B1<br>3-C2<br>3-D3    | ○                           |               | 1                         |
| *1K610-698       | 83              | 曲げ板<br>Bent plate       | 2                             |                   | 3<br>B1                 | ○                           |               | 1                         |
| *1K611-713       | 88              | 曲げ板<br>Bent plate       | 1                             |                   | 3<br>C3                 | ○                           |               | 1                         |
| *1K611-718       | 171             | 曲げ板<br>Bent plate       | 1                             |                   | 3<br>B1                 | ○                           |               | 1                         |
| *1K611-721       | 207             | 曲げ板<br>Bent plate       | 1                             |                   | 1<br>B2                 | ○                           |               | 1                         |
| *1K611-731       | 51              | 曲げ板<br>Bent plate       | 4                             |                   | 1<br>C1                 | ○                           |               | 1                         |
| 1K611-872        | 107             | Lever                   | 1                             |                   | 2<br>B1                 | ○                           |               | 1                         |
| 1K611-873        | 108             | Lever                   | 1                             |                   | 2<br>B1                 | ○                           |               | 1                         |
|                  |                 |                         |                               |                   |                         |                             |               |                           |
|                  |                 |                         |                               |                   |                         |                             |               |                           |
|                  |                 |                         |                               |                   |                         |                             |               |                           |

|           |     |                          |   |  |         |   |  |   |
|-----------|-----|--------------------------|---|--|---------|---|--|---|
| 1K641-241 | 78  | 丸環<br>Ring               | 1 |  | 2<br>C3 | ○ |  | 1 |
| 1K641-243 | 84  | 丸環<br>Ring               | 1 |  | 2<br>A3 | ○ |  | 1 |
| 1K641-244 | 117 | 後部固定環<br>Rear fixed ring | 1 |  | 2<br>B3 | ○ |  | 1 |
| 1K641-245 | 167 | 丸筒<br>Tube               | 1 |  | 1<br>D3 | ○ |  | 1 |
|           |     |                          |   |  |         |   |  |   |
|           |     |                          |   |  |         |   |  |   |

部品表 Parts List

AF-I 400/2.8D

JAA52051-R. 3336. A

| 部品番号<br>Part No.            | 補助番号<br>Ckt No. | 名称<br>Name                     | 1台分<br>個数<br>Pcs. Per<br>Unit | 部組品番号<br>Assembly | 参照<br>図番<br>Fig.<br>No. | 販売区分<br>Term of<br>Delivery | 備考<br>Remarks | 要求単位<br>Q'ty per<br>order |
|-----------------------------|-----------------|--------------------------------|-------------------------------|-------------------|-------------------------|-----------------------------|---------------|---------------------------|
| 1K641-246                   | 168             | 丸筒<br>Tube                     | 1                             |                   | 1<br>C3                 | ○                           |               | 1                         |
| 1K641-248                   | 344             | 丸環<br>Ring                     | 1                             |                   | 2<br>A3                 | ○                           |               | 1                         |
| 1K641-254                   | 341             | 丸環<br>Ring                     | 1                             |                   | 2<br>C1                 | ○                           |               | 1                         |
| *1K681-449-1<br>(1K681-449) | 39              | 丸環<br>Ring                     | 1                             |                   | 3<br>D2                 | ○                           |               | 1                         |
| *1K681-450                  | 63              | Block                          | 4                             |                   | 1<br>C1                 | ○                           |               | 1                         |
| *1K681-451                  | 64              | Block                          | 4                             |                   | 1<br>C1                 | ○                           |               | 1                         |
| *1K681-458                  | 161             | 曲げ板<br>Bent plate              | 1                             |                   | 3<br>D1                 | ○                           |               | 1                         |
| *1K681-461-1<br>(1K681-461) | 200             | Block                          | 1                             |                   | 3<br>A1                 | ○                           |               | 1                         |
| *1K681-462                  | 205             | Block                          | 1                             |                   | 1<br>A3                 | ○                           |               | 1                         |
| *1K681-464-1                | 262             | Block                          | 2                             |                   | 2-D2<br>3-C2            | ○                           |               | 1                         |
| *1K681-465-1                | 263             | Block                          | 2                             |                   | 1-A2<br>3-B1            | ○                           |               | 1                         |
| 1K681-610                   | 150             | フォーカス回転制限<br>Focus rimit plate | 1                             |                   | 2<br>D2                 | ○                           |               | 1                         |
| 1K681-612                   | 159             | 曲げ板<br>Bent plate              | 1                             |                   | 3<br>C2                 | ○                           |               | 1                         |
| 1K681-613                   | 190             | 曲げ板<br>Bent plate              | 1                             |                   | 2<br>A1                 | ○                           |               | 1                         |
| 1K681-614                   | 191             | 曲げ板<br>Bent plate              | 2                             |                   | 2<br>B2                 | ○                           |               | 1                         |
|                             |                 |                                |                               |                   |                         |                             |               |                           |
|                             |                 |                                |                               |                   |                         |                             |               |                           |
|                             |                 |                                |                               |                   |                         |                             |               |                           |

部品表 Parts List

AF-I 400/2.8D

JAA52051-R. 3336. A

| 部品番号<br>Part No. | 補助番号<br>Ckt No. | 名称<br>Name        | 1台分<br>個数<br>Pcs. Per<br>Unit | 部組品番号<br>Assembly | 参照<br>図番<br>Fig.<br>No. | 販売区分<br>Term of<br>Delivery | 備考<br>Remarks | 要求単位<br>Q'ty per<br>order |
|------------------|-----------------|-------------------|-------------------------------|-------------------|-------------------------|-----------------------------|---------------|---------------------------|
| 1K681-617        | 369             | 丸環<br>Ring        | 1                             |                   | 3<br>B3                 | ○                           |               | 1                         |
| 1K681-618        | 335             | 曲げ板<br>Bent plate | 1                             |                   | 2<br>B2                 | ○                           |               | 1                         |
| 1K681-718        | 162             | 曲げ板<br>Bent plate | 2                             |                   | 2<br>B1                 | ○                           |               | 1                         |
|                  |                 |                   |                               |                   |                         |                             |               |                           |
| 1S422-056        | 282             | スイッチ<br>Switch    | 2                             |                   | 2<br>B1                 | ○                           |               | 1                         |
|                  |                 |                   |                               |                   |                         |                             |               |                           |
|                  |                 |                   |                               |                   |                         |                             |               |                           |
|                  |                 |                   |                               |                   |                         |                             |               |                           |
|                  |                 |                   |                               |                   |                         |                             |               |                           |
|                  |                 |                   |                               |                   |                         |                             |               |                           |
|                  |                 |                   |                               |                   |                         |                             |               |                           |
|                  |                 |                   |                               |                   |                         |                             |               |                           |
|                  |                 |                   |                               |                   |                         |                             |               |                           |
|                  |                 |                   |                               |                   |                         |                             |               |                           |
|                  |                 |                   |                               |                   |                         |                             |               |                           |
|                  |                 |                   |                               |                   |                         |                             |               |                           |
|                  |                 |                   |                               |                   |                         |                             |               |                           |
|                  |                 |                   |                               |                   |                         |                             |               |                           |
|                  |                 |                   |                               |                   |                         |                             |               |                           |
|                  |                 |                   |                               |                   |                         |                             |               |                           |
|                  |                 |                   |                               |                   |                         |                             |               |                           |
|                  |                 |                   |                               |                   |                         |                             |               |                           |
|                  |                 |                   |                               |                   |                         |                             |               |                           |
|                  |                 |                   |                               |                   |                         |                             |               |                           |
|                  |                 |                   |                               |                   |                         |                             |               |                           |
|                  |                 |                   |                               |                   |                         |                             |               |                           |
|                  |                 |                   |                               |                   |                         |                             |               |                           |
|                  |                 |                   |                               |                   |                         |                             |               |                           |
|                  |                 |                   |                               |                   |                         |                             |               |                           |



## 〔2〕 部品表 Parts List

AF-I 400/2.8D

JAA52051-R. 3336. A

| 部品番号<br>Part No. | 補助番号<br>Ckt No. | 名称<br>Name               | 1台分<br>個数<br>Pcs. Per<br>Unit | 部組品番号<br>Assembly      | 参照<br>図番<br>Fig.<br>No.      | 販売区分<br>Term of<br>Delivery | 備考<br>Remarks | 要求単位<br>Q'ty per<br>order |
|------------------|-----------------|--------------------------|-------------------------------|------------------------|------------------------------|-----------------------------|---------------|---------------------------|
| 1G713-021        | G1              | G1レンズ<br>G1 lens element | 1                             |                        | 1<br>A1                      | ○                           |               | 1                         |
| A1-14025FA       | 148             | Screw                    | 3                             |                        | 1<br>B3                      | ○△                          |               | 5                         |
| A1-17020FA       | 208             | Screw                    | 4                             |                        | 1-A3<br>1-B2                 | ○                           |               | 5                         |
| A1-20035FT       | 116             | Screw                    | 1                             |                        | 1<br>C1                      | ○                           |               | 5                         |
| A2-14025FC       | 261             | Screw                    | 2                             |                        | 3<br>D1                      | ○                           |               | 5                         |
| A2-17025FA       | 145             | Screw                    | 3                             |                        | 2<br>C3                      | ○                           |               | 5                         |
| A2-17030FB       | 218             | Screw                    | 2                             |                        | 3<br>A1                      | ○                           |               | 5                         |
| A2-17045FB       | 100             | Screw                    | 4                             |                        | 3<br>B1                      | ○                           |               | 5                         |
| A2-17050FA       | 370             | Screw                    | 3                             |                        | 3<br>B2                      | ○                           |               | 5                         |
| A2-20028FA       | 295             | Screw                    | 2                             |                        | 2<br>D2                      | ○                           |               | 5                         |
| A3-17025FT       | 297             | Screw                    | 4                             |                        | 3<br>D2                      | ○                           |               | 5                         |
| B1-14030FA       | 230             | Screw                    | 7                             | 1B999-680<br>1B999-679 | 2<br>A3                      | ○△                          |               | 5                         |
| B1-17030FA       | 251             | Screw                    | 19                            | 1B999-683              | 1-C1<br>2-A1. B2<br>3-B1. B2 | ○△                          |               | 5                         |
| B1-17030FR       | 336             | Screw                    | 3                             |                        | 3<br>A1                      | ○                           |               | 5                         |
| B1-17035FA       | 288             | Screw                    | 8                             |                        | 1-B2<br>2-A1<br>2-B1         | ○                           |               | 5                         |
| B1-17040FB       | 347             | Screw                    | 2                             |                        | 3-B1<br>3-B2                 | ○                           |               | 5                         |
|                  |                 |                          |                               |                        |                              |                             |               |                           |
|                  |                 |                          |                               |                        |                              |                             |               |                           |

部品表 Parts List

AF-I 400/2.8D



JAA52051-R. 3336. A

| 部品番号<br>Part No. | 補助番号<br>Ckt No. | 名称<br>Name | 1台分<br>個数<br>Pcs. Per<br>Unit | 部組品番号<br>Assembly | 参照<br>図番<br>Fig.<br>No. | 販売区分<br>Term of<br>Delivery | 備考<br>Remarks | 要求単位<br>Q'ty per<br>order |
|------------------|-----------------|------------|-------------------------------|-------------------|-------------------------|-----------------------------|---------------|---------------------------|
| B1-17040FA       | 364             | Screw      | 6                             |                   | 2-A3<br>2-B2            | ○                           |               | 5                         |
| B1-17050FA       | 277             | Screw      | 3                             |                   | 3<br>B2                 | ○                           |               | 5                         |
| B1-17055FA       | 202             | Screw      | 2                             |                   | 1<br>A3                 | ○                           |               | 5                         |
| B1-17060FR       | 253             | Screw      | 9                             |                   | 1<br>B3                 | ○                           |               | 5                         |
| B1-20050FA       | 257             | Screw      | 16                            |                   | 2-B3<br>3-B2<br>3-C3    | ○                           |               | 5                         |
| B1-20050FT       | 345             | Screw      | 3                             |                   | 3<br>D2                 | ○                           |               | 5                         |
| B1-20070FR       | 256             | Screw      | 12                            |                   | 1-B1<br>1-D1            | ○                           |               | 5                         |
| B1-26060FT       | 259             | Screw      | 6                             |                   | 3<br>D3                 | ○                           |               | 5                         |
| B2-17030FA       | 219             | Screw      | 1                             |                   | 2<br>A1                 | ○                           |               | 5                         |
| B2-17040FA       | 278             | Screw      | 6                             |                   | 1<br>C3                 | ○                           |               | 5                         |
| B2-20050FA       | 293             | Screw      | 2                             |                   | 2<br>B3                 | ○                           |               | 5                         |
| H1-17035FA       | 368             | Screw      | 2                             |                   | 2<br>A1                 | ○                           |               | 5                         |
| H1-17040FA       | 215             | Screw      | 4                             |                   | 3<br>C3                 | ○                           |               | 5                         |
| K2-17025FB       | 294             | Screw      | 3                             |                   | 1<br>D3                 | ○                           |               | 5                         |
| K2-17030FB       | 252             | Screw      | 3                             |                   | 1<br>D2                 | ○                           |               | 5                         |
| K2-20025FA       | 220             | Screw      | 3                             |                   | 3<br>B2                 | ○                           |               | 5                         |
|                  |                 |            |                               |                   |                         |                             |               |                           |
|                  |                 |            |                               |                   |                         |                             |               |                           |

部組品表 Assembly List

AF-I 400/2.8D

JAA52051-R. 3336. A

| 部組番号<br>Part No. | 補助番号<br>Ckt No. | 名称<br>Name                             | 1台分<br>個数<br>Pcs. Per<br>Unit | 構成部品番号<br>Constituent Parts   | 参照<br>図番<br>Fig.<br>No. | 備考<br>Remarks   | 要求単位<br>Q'ty per<br>order |
|------------------|-----------------|--|-------------------------------|---|-------------------------|---|---------------------------|
| *1B002-041       | B34             | 基板カバー<br>Plate cover                   | 1                             | 1K116-561-1<br>1K110-398  | 2<br>B3                 |   | 1                         |
| 1B002-064        | B4              | リード溝環<br>Inner tube unit               | 1                             | 1K641-237<br>1K630-840<br>1K260-645   | 2<br>D1                 |   | 1                         |
| 1B002-065        | B9              | フィルターホルダー<br>Filter holder             | 1                             | 1K681-608<br>1B002-067<br>1K680-024<br>1K220-021-1<br>P3-10050SX<br>1K480-001-1<br>1K681-616<br>1K001-003-1x2   | 3<br>D2                 | 商品扱い<br> |                           |
| 1B002-066        | B10             | ゼラチンフィルターホルダー<br>Gelatin filter holder | 1                             | 1K681-609<br>A2-20040FTx2<br>1K625-059<br>1K233-008-2<br>1K480-001-1<br>1B002-067<br>1K220-021-1<br>P3-10050SX<br>1K680-024<br>1K117-627<br>1K661-874<br>1K681-616<br>1K001-003-1x2 | 3<br>D2                 | 商品扱い<br> |                           |
| 1B002-068        | B12             | レバー組<br>Lever unit                     | 1                             | 1K641-242<br>1B310-046<br>1K371-135   | 2<br>D3                 |   | 1                         |
| *1B060-500-4     | B22             | 接点FPC組<br>Connecting FPC unit          | 1                             | 1S705-228-2<br>1K681-572<br>1K611-788-3<br>1K240-469-1x10<br>1K117-525<br>1K681-539<br>1K117-485  | 3<br>D1                 |   | 1                         |
| 1B060-534        | B25             | 距離エンコーダFPC組<br>FPC unit                | 1                             | 1S705-260<br>1K117-463  | 2<br>B3                 |   | 1                         |
| 1B060-535        | B26             | 中継FPC組<br>Relay FPC unit               | 1                             | 1S705-261<br>1K117-079x3<br>1K117-413x2   | 2<br>C1                 |   | 1                         |
| 1B060-536        | B27             | フォーカスロックFPC組<br>Focus lock FPC unit    | 1                             | 1S020-087<br>1K117-079  | 1<br>C1                 |   | 1                         |
|                  |                 |  |                               |   |                         |   |                           |
|                  |                 |  |                               |   |                         |   |                           |
|                  |                 |  |                               |   |                         |   |                           |

部品表 Parts List

AF-I 400/2.8D

JAA52051-R. 3336. A

| 部品番号<br>Part No. | 補助番号<br>Ckt No. | 名称<br>Name | 1台分<br>個数<br>Pcs. Per<br>Unit | 部組品番号<br>Assembly      | 参照<br>図番<br>Fig.<br>No. | 販売区分<br>Term of<br>Delivery | 備考<br>Remarks | 要求単位<br>Q'ty per<br>order |
|------------------|-----------------|------------|-------------------------------|------------------------|-------------------------|-----------------------------|---------------|---------------------------|
| M1-03012FB       | 280             | Bolt       | 1                             |                        | 1<br>C2                 | ○                           |               | 5                         |
| M1-04010FB       | 352             | Bolt       | 4                             |                        | 1<br>B2                 | ○                           |               | 5                         |
| R5-02000FA       | 197             | Washer     | 2                             |                        | 1<br>B3                 | ○                           |               | 5                         |
| S1-02000FA       | 184             | E-ring     | 4                             | 1B999-680<br>1B999-683 | 2<br>B1                 | ○△                          |               | 5                         |
|                  |                 |            |                               |                        |                         |                             |               |                           |
|                  |                 |            |                               |                        |                         |                             |               |                           |
|                  |                 |            |                               |                        |                         |                             |               |                           |
|                  |                 |            |                               |                        |                         |                             |               |                           |
|                  |                 |            |                               |                        |                         |                             |               |                           |
|                  |                 |            |                               |                        |                         |                             |               |                           |
|                  |                 |            |                               |                        |                         |                             |               |                           |
|                  |                 |            |                               |                        |                         |                             |               |                           |
|                  |                 |            |                               |                        |                         |                             |               |                           |
|                  |                 |            |                               |                        |                         |                             |               |                           |
|                  |                 |            |                               |                        |                         |                             |               |                           |
|                  |                 |            |                               |                        |                         |                             |               |                           |
|                  |                 |            |                               |                        |                         |                             |               |                           |
|                  |                 |            |                               |                        |                         |                             |               |                           |
|                  |                 |            |                               |                        |                         |                             |               |                           |
|                  |                 |            |                               |                        |                         |                             |               |                           |

部組品表 Assembly List

AF-I 400/2.8D

JAA52051-R. 3336. A

| 部組番号<br>Part No.            | 補助番号<br>Ckt No. | 名称<br>Name                                    | 1台分<br>個数<br>Pcs. Per<br>Unit | 構成部品番号<br>Constituent Parts  | 参照<br>図番<br>Fig.<br>No. | 備考<br>Remarks | 要求単位<br>Q'ty per<br>order |
|-----------------------------|-----------------|---|-------------------------------|--|-------------------------|---------------|---------------------------|
| 1B060-544                   | B23             | メインFPC組<br>Main FPC unit                      | 1                             | 1S020-103<br>1K117-525x5<br>1K117-526x2<br>1K116-368x2   | 3<br>B2                 |               | 1                         |
| 1B100-659                   | B1              | G5. G6レンズ室組<br>G5.G6 lens housing unit        | 1                             | 1G254-094<br>1G154-121<br>1K500-867  | 1<br>D1                 |               | 1                         |
| 1B100-660                   | B2              | G7. G8. G9レンズ室組<br>G7.G8.G9 lens housing unit | 1                             | 1G215-027<br>1G154-122<br>1G213-032<br>1K500-865   | 1<br>A3                 |               | 1                         |
| 1B100-661                   | B3              | G10. G11レンズ室組<br>G10.G11 lens housing unit    | 1                             | 1G114-117<br>1G257-069<br>1K500-866  | 1<br>A3                 |               | 1                         |
| 1B150-067                   | B6              | G2. G3. G4レンズ室組<br>G2.G3.G4 lens housing unit | 1                             | 1G116-040<br>1G117-049<br>1G217-020<br>1K510-406<br>1K521-198<br>1K521-195<br>1K521-196<br>1S811-699 | 1<br>B1                 | *工場送り         | 1                         |
| 1B300-027                   | B13             | カム組<br>Cam unit                               | 1                             | 1K300-094<br>1K370-615   | 2<br>D3                 |               | 1                         |
| 1B314-181                   | B16             | シーソーレバー組<br>Lever fixing                      | 1                             | 1K314-437<br>1K340-133   | 3<br>A1                 |               | 1                         |
| *1B400-038-1<br>(1B400-038) | B7              | 三脚座<br>Tripod attaching                       | 1                             | 1K400-222-1<br>U2-08315SXx3  | 1<br>B2                 |               | 1                         |
| 1B570-129                   | B17             | 羽根組<br>Blade unit                             | 9                             | 1K570-129<br>1K370-607-1x2   | 2<br>C3                 |               | 10                        |
| *1B574-065                  | B33             | 羽根基板組<br>Brade mounting plate unit            | 1                             | 1K574-125<br>1K600-723<br>1K042-001x2<br>1K370-845   | 2<br>D3                 |               | 1                         |
|                             |                 |   |                               |  |                         |               |                           |
|                             |                 |   |                               |  |                         |               |                           |
|                             |                 |   |                               |  |                         |               |                           |
|                             |                 |   |                               |  |                         |               |                           |
|                             |                 |   |                               |  |                         |               |                           |
|                             |                 |   |                               |  |                         |               |                           |
|                             |                 |   |                               |  |                         |               |                           |
|                             |                 |   |                               |  |                         |               |                           |

部組品表 Assembly List

AF-I 400/2.8D

JAA52051-R. 3336. A

| 部組番号<br>Part No. | 補助番号<br>Ckt No. | 名称<br>Name                        | 1台分<br>個数<br>Pcs. Per<br>Unit | 構成部品番号<br>Constituent Parts  | 参照<br>図番<br>Fig.<br>No. | 備考<br>Remarks | 要求単位<br>Q'ty per<br>order |
|------------------|-----------------|-----------------------------------|-------------------------------|--|-------------------------|---------------|---------------------------|
| *1B999-534       |                 | ガイド環 φ5 +0.04<br>Guide ring +0.03 | 3                             | 1K130-238-1<br>1K117-563   | 2<br>D1                 |               | 5                         |
| *1B999-535       |                 | ガイド環 φ5 +0.03<br>Guide ring +0.02 | 3                             | 1K130-238-1<br>1K117-564   | 2<br>D1                 |               | 5                         |
| *1B999-536       |                 | ガイド環 φ5 +0.02<br>Guide ring +0.01 | 3                             | 1K130-238-1<br>1K117-565   | 2<br>D1                 |               | 5                         |
| *1B999-537       |                 | ガイド環 φ5 +0.01<br>Guide ring 0     | 3                             | 1K130-238-1<br>1K117-566   | 2<br>D1                 |               | 5                         |
| *1B999-538       |                 | ガイド環 φ5 0<br>Guide ring -0.01     | 3                             | 1K130-238-1<br>1K117-567   | 2<br>D1                 |               | 5                         |
| 1B999-678        |                 | ガラスエンコーダ組<br>Lens barrel unit     | 1                             | 1G766-002<br>1K521-199<br>1K641-247  | 1<br>B3                 |               | 1                         |
| 1B999-679        | B97             | LED部組<br>LED unit                 | 1                             | 1G767-002<br>1K681-463<br>B1-14030FAx2<br>1K117-437<br>1K117-525x2<br>1K117-527<br>1S260-058<br>1S811-511<br>1S811-510<br>1B060-502-2<br>1S007-232   | 1<br>B2                 |               | 1                         |
| 1B999-680        | B81             | AFギア組<br>AF gear unit             | 1                             | S1-02000FA<br>1K120-075x2<br>1K277-157<br>1K277-156<br>B1-14030FAx2<br>R1-02600FA<br>1K260-649<br>1K611-750<br>1K601-239<br>1K120-015x4<br>1K611-723<br>1K601-296<br>1K117-410x4<br>1K070-036x4<br>1K371-784x2<br>1K611-738x2<br>1K641-181<br>1K611-883<br>A1-14025FAx2<br>A1-14020FAx2<br>1K601-187<br>1S258-016-1<br>1S811-721<br>1S811-510<br>1S811-723<br>1S811-725<br>1S811-726<br>1B260-102<br>1B060-538 | 2<br>C2                 |               | 1                         |
|                  |                 |                                   |                               |  |                         |               |                           |

部組品表 Assembly List

AF-I 400/2.8D

JAA52051-R.3336.A

| 部組番号<br>Part No. | 補助番号<br>Ckt No. | 名称<br>Name                          | 1台分<br>個数<br>Pcs. Per<br>Unit | 構成部品番号<br>Constituent Parts  | 参照番<br>図番<br>Fig.<br>No. | 備考<br>Remarks | 要求単位<br>Q'ty per<br>order |
|------------------|-----------------|-------------------------------------|-------------------------------|--|--------------------------|---------------|---------------------------|
| 1B999-681        | B69             | ブラシ組<br>Brush unit                  | 1                             | 1S811-523<br>1S811-524<br>1S811-525<br>1S811-655<br>1S811-656<br>1B240-102   | 2<br>A1                  |               | 1                         |
| 1B999-682        | B83             | スイッチ組<br>Switch unit                | 1                             | 1S811-529<br>1S811-530<br>1S811-531<br>1S811-540<br>1B610-117x2  | 3<br>B3                  |               | 1                         |
| 1B999-683        | B61             | AFギア組<br>AF gear unit               | 1                             | 1K277-134<br>1K371-707<br>1K611-875<br>1K601-236<br>1K220-354<br>S1-02000FAx2<br>1K260-612<br>1K260-613<br>1K641-160x8<br>1B060-498<br>1K371-710<br>1K120-015x3<br>1K060-058x2<br>B1-17030FAx2<br>1K681-468<br>1K120-009<br>A2-14020FA<br>1B260-101<br>1K630-793<br>1K630-817<br>1K630-818 | 2<br>A1                  |               | 1                         |
| 1B999-684        |                 | フォーカスレンジSW組<br>Switch unit          | 1                             | 1K681-611<br>1K117-406<br>1S424-033<br>H1-17030FAx4<br>1K206-104<br>1S700-343<br>1K240-832<br>1K681-618<br>1S811-526<br>1S811-527<br>1S811-528   | 3<br>D3                  |               | 1                         |
| 1B999-685        |                 | DC/DCコンバータ組<br>DC/DC converter unit | 1                             | 1S050-035<br>1S811-491<br>1S811-492<br>1S811-493<br>1S811-718  | 3<br>B1                  |               | 1                         |
| 1B999-686        |                 | エンコーダリング組<br>Barrel unit            | 1                             | 1K641-238<br>1S700-342   | 1<br>A3                  |               | 1                         |
|                  |                 |                                     |                               |  |                          |               |                           |

## 部組品表 Assembly List

AF-I 400/2.8D

JAA52051-R.3336.A

| 部組番号<br>Part No. | 補助番号<br>Ckt No. | 名 称<br>Name                            | 1台分<br>個 数<br>Pcs. Per<br>Unit | 構成部品番号<br>Constituent Parts | 参照<br>図番<br>Fig.<br>No. | 備 考<br>Remarks | 要求単位<br>Qty per<br>order |
|------------------|-----------------|--|--------------------------------|-----------------------------|-------------------------|----------------|--------------------------|
| 1B999-687        |                 | ガイド環 φ5 +0.03<br>+0.02<br>Guide ring   | 2                              | 1K130-532<br>1K117-731      | 2<br>C2                 |                | 5                        |
| 1B999-688        |                 | ガイド環 φ5 +0.02<br>+0.01<br>Guide ring   | 2                              | 1K130-532<br>1K117-732      | 2<br>C2                 |                | 5                        |
| 1B999-689        |                 | ガイド環 φ5 +0.01<br>0<br>Guide ring       | 2                              | 1K130-532<br>1K117-733      | 2<br>C2                 |                | 5                        |
| 1B999-690        |                 | ガイド環 φ5 0<br>-0.01<br>Guide ring       | 2                              | 1K130-532<br>1K117-734      | 2<br>C2                 |                | 5                        |
| 1B999-691        |                 | ガイド環 φ5 -0.01<br>-0.02<br>Guide ring   | 2                              | 1K130-532<br>1K117-735      | 2<br>C2                 |                | 5                        |
| 1B999-692        |                 | ガイド環 φ4.5 -0.02<br>-0.03<br>Guide ring | 2                              | 1K130-328<br>1K116-450      | 2<br>C2                 |                | 5                        |
| 1B999-693        |                 | ガイド環 φ4.5 -0.01<br>-0.02<br>Guide ring | 2                              | 1K130-328<br>1K116-451      | 2<br>C2                 |                | 5                        |
| 1B999-694        |                 | ガイド環 φ4.5 0<br>-0.01<br>Guide ring     | 2                              | 1K130-328<br>1K116-452      | 2<br>C2                 |                | 5                        |
| 1B999-695        |                 | ガイド環 φ4.5 +0.01<br>0<br>Guide ring     | 2                              | 1K130-328<br>1K116-453      | 2<br>C2                 |                | 5                        |
| 1B999-696        |                 | ガイド環 φ5 +0.03<br>+0.02<br>Guide ring   | 2                              | 1K130-529<br>1K437-212      | 2<br>C1                 |                | 5                        |
| 1B999-697        |                 | ガイド環 φ5 +0.02<br>+0.01<br>Guide ring   | 2                              | 1K130-529<br>1K437-213      | 2<br>C1                 |                | 5                        |
| 1B999-698        |                 | ガイド環 φ5 +0.01<br>0<br>Guide ring       | 2                              | 1K130-529<br>1K437-214      | 2<br>C1                 |                | 5                        |
| 1B999-699        |                 | ガイド環 φ5 0<br>-0.01<br>Guide ring       | 2                              | 1K130-529<br>1K437-215      | 2<br>C1                 |                | 5                        |
| 1B999-700        |                 | ガイド環 φ5 -0.01<br>-0.02<br>Guide ring   | 2                              | 1K130-529<br>1K437-216      | 2<br>C1                 |                | 5                        |
| 1B999-705        |                 | ガイド環 φ5 -0.02<br>-0.03<br>Guide ring   | 2                              | 1K130-529<br>1K437-217      | 2<br>C1                 |                | 5                        |
| 1B999-706        |                 | ガイド環 φ5 -0.03<br>-0.04<br>Guide ring   | 2                              | 1K130-529<br>1K437-218      | 2<br>C1                 |                | 5                        |
|                  |                 |  |                                |                             |                         |                |                          |
|                  |                 |  |                                |                             |                         |                |                          |