

作成承認印

配布許可印



# D2X VBA10501

## PARTS LIST 修理部品表

**Nikon** | NIKON CORPORATION  
Tokyo, Japan

Copyright © 2005 by Nikon Corporation.  
All Rights Reserved.  
無断転載を禁ず !!

A

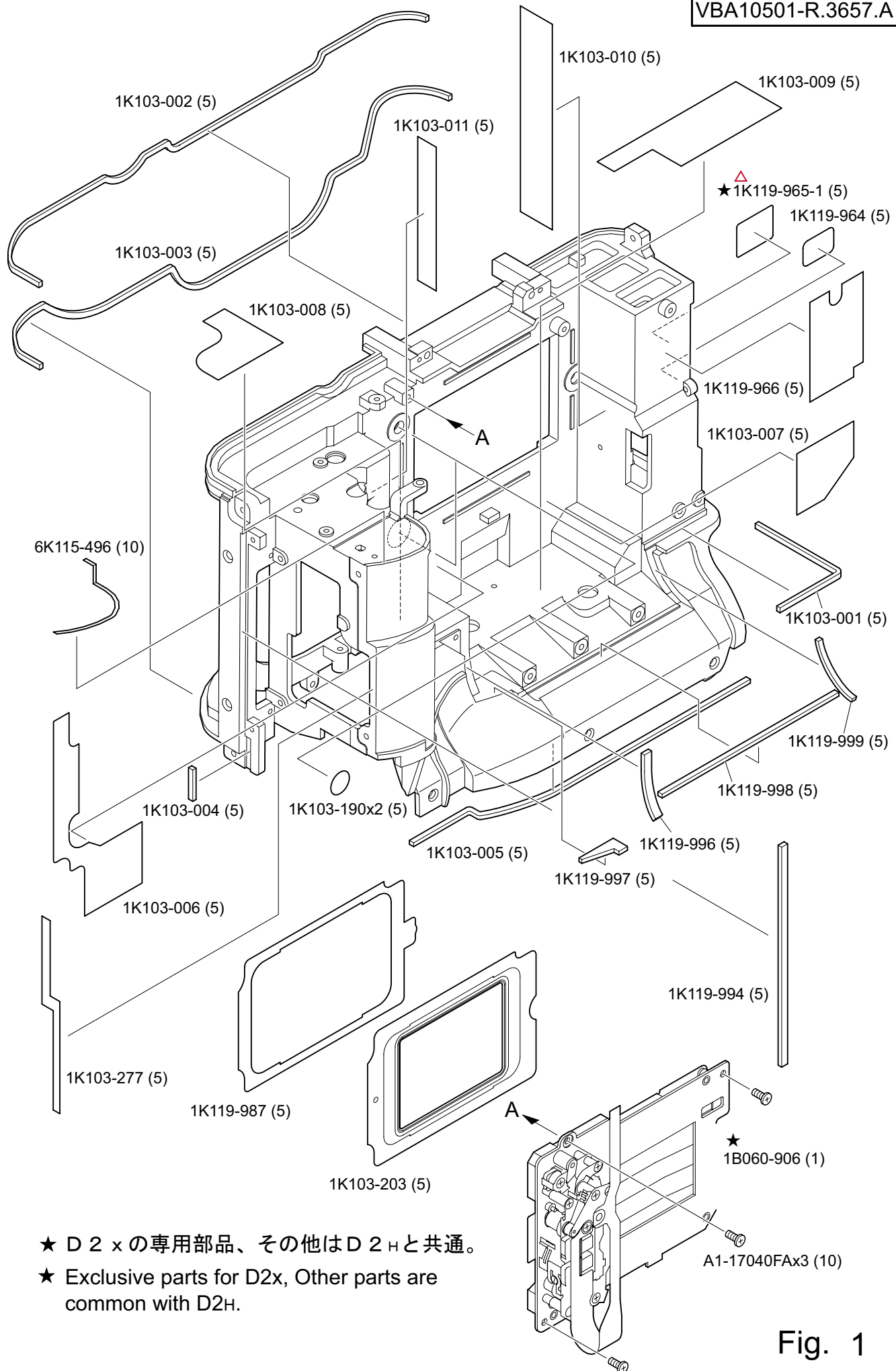
B

VBA10501-R.3657.A

1

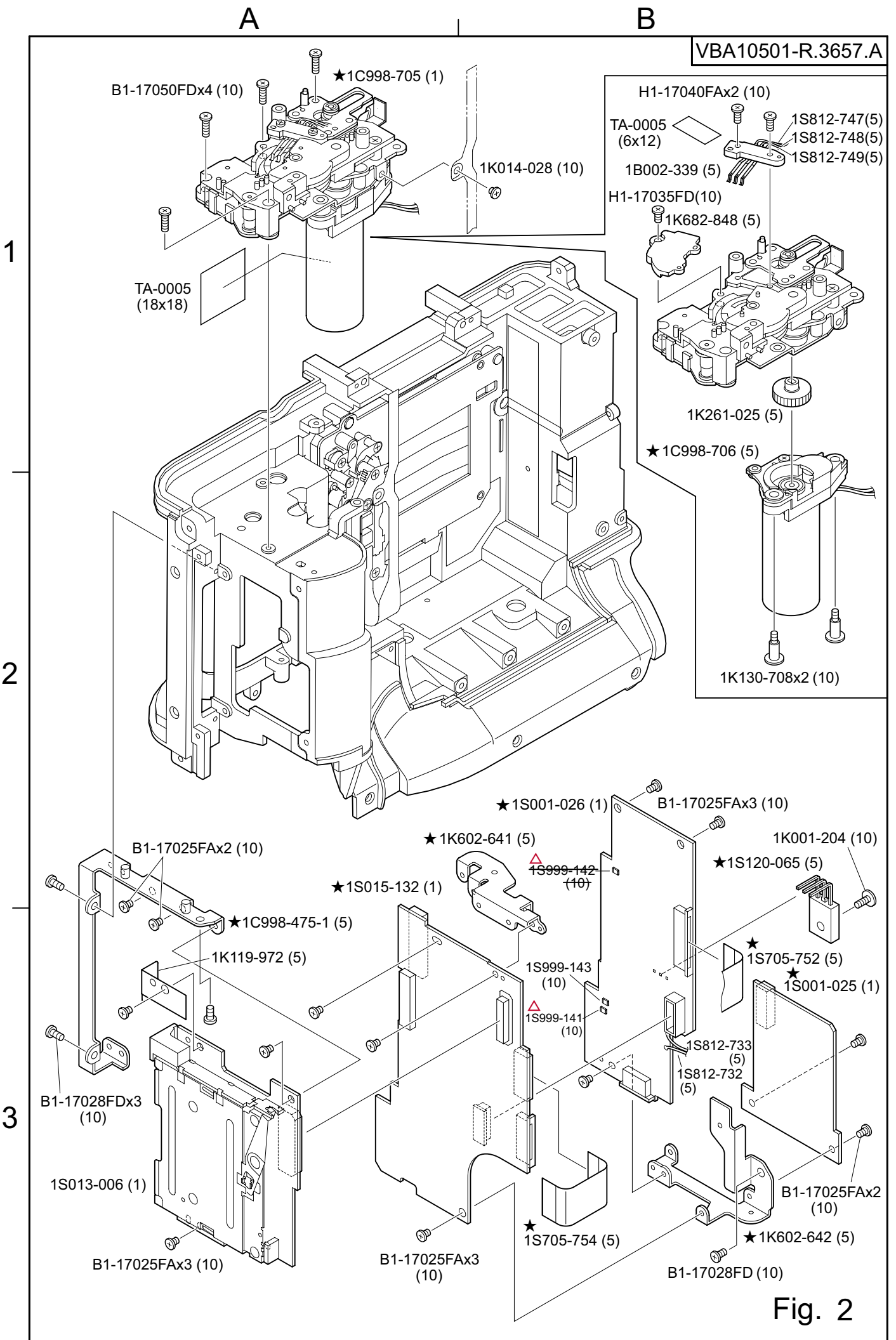
2

3



- ★ D 2 x の専用部品、その他はD 2 H と共通。
- ★ Exclusive parts for D2x, Other parts are common with D2H.

Fig. 1



A

B

1

2

3

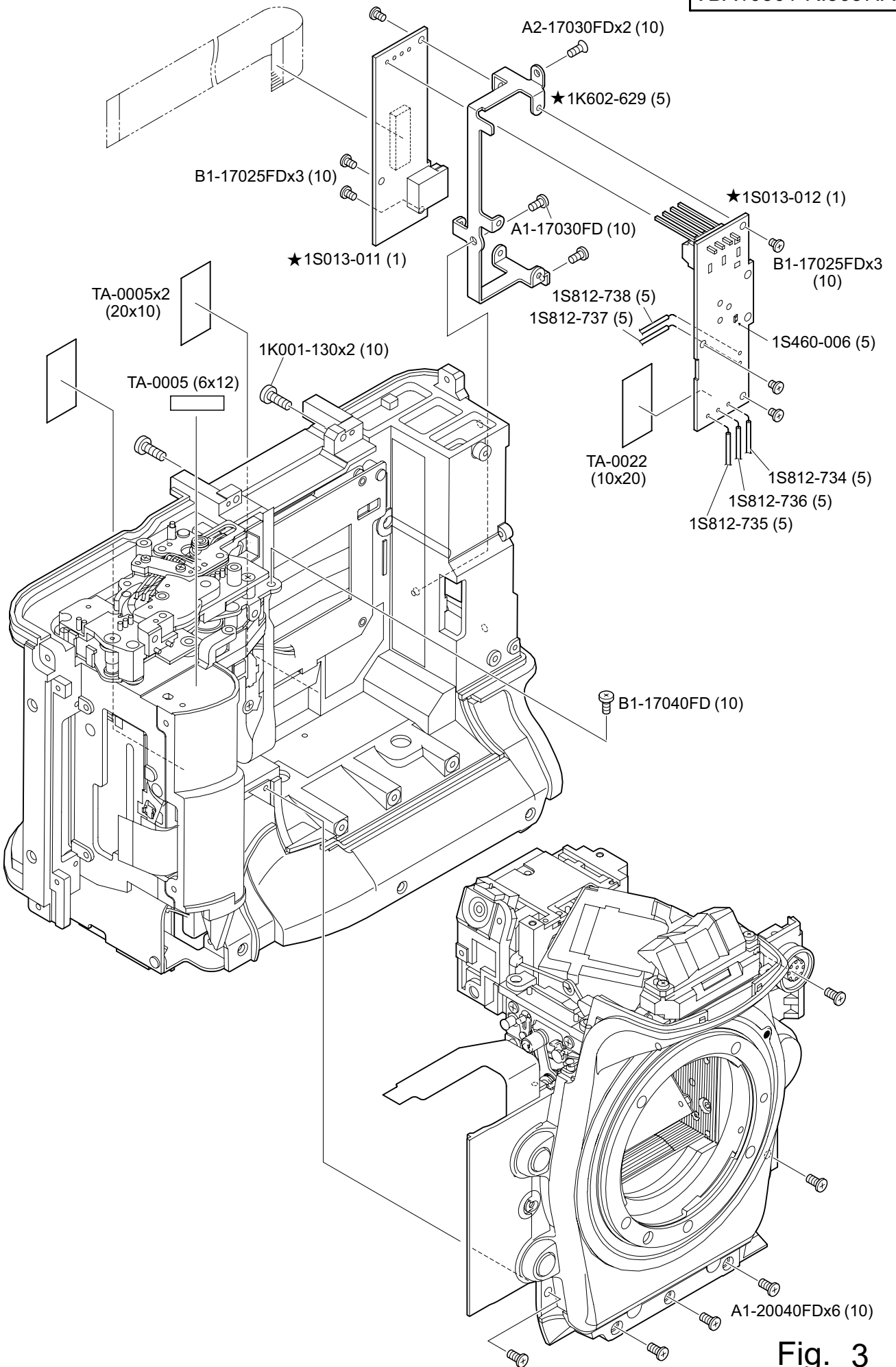


Fig. 3

A

B

VBA10501-R.3657.A

1

2

3

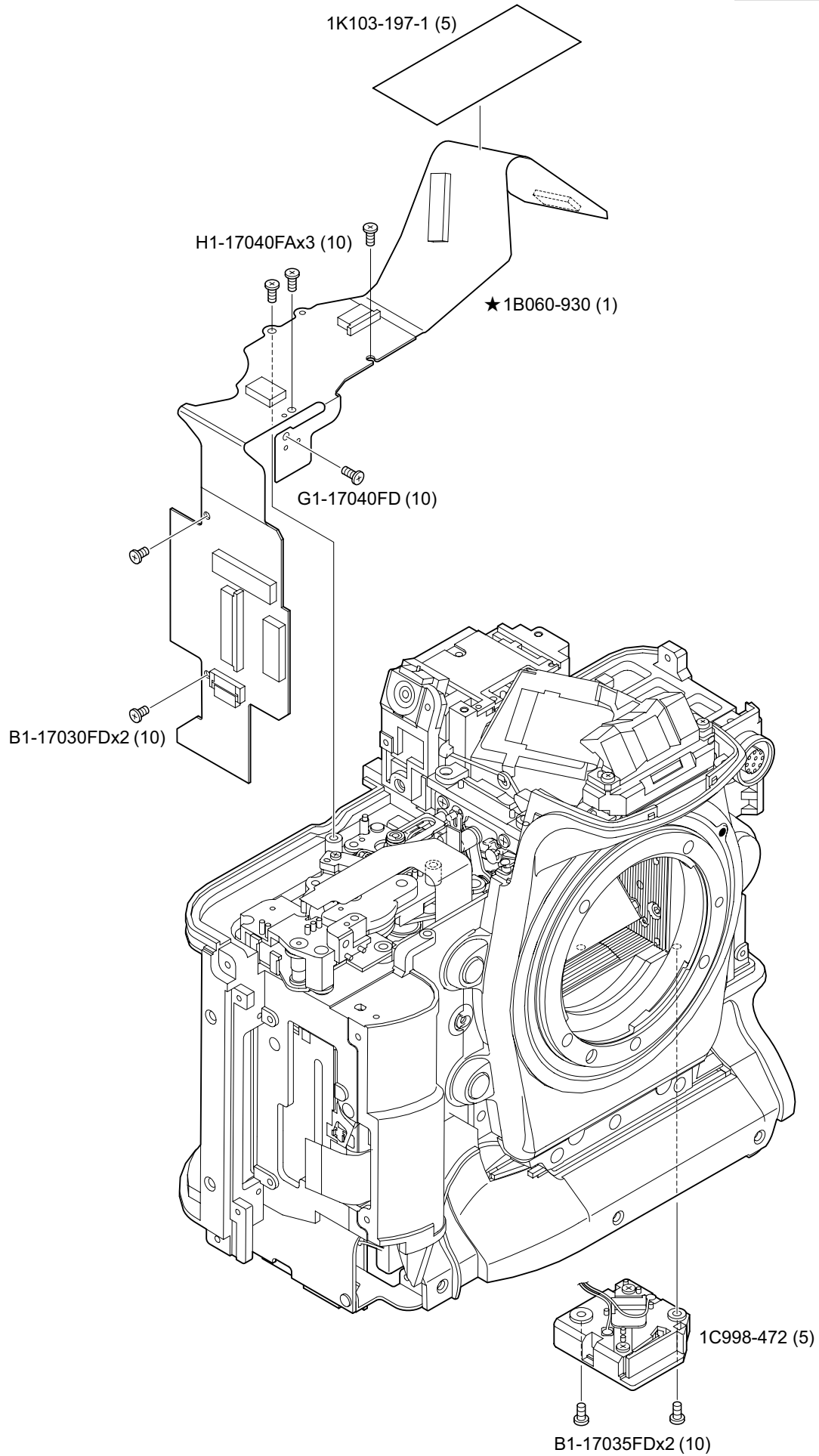


Fig. 4

A

B

VBA10501-R.3657.A

★ D 2 x の専用部品、その他はD 2 Hと共通。

★ Exclusive parts for D2x, Other parts are common with D2H.

1

★1C998-898 (1)

1K050-334 (10)  
1K050-338 (10)

2

★1C998-892 (1)

★1C998-895 (5)

★1C998-700 (1)

A1-17025FDx2  
(10)

1K241-459 (5)

3

1K014-026 (10)

1K120-100x6 (10)

△1S622-014-3x3 (5)

△  
★1K119-952-1 (5)

Fig. 5

A

B

VBA10501-R.3657.A

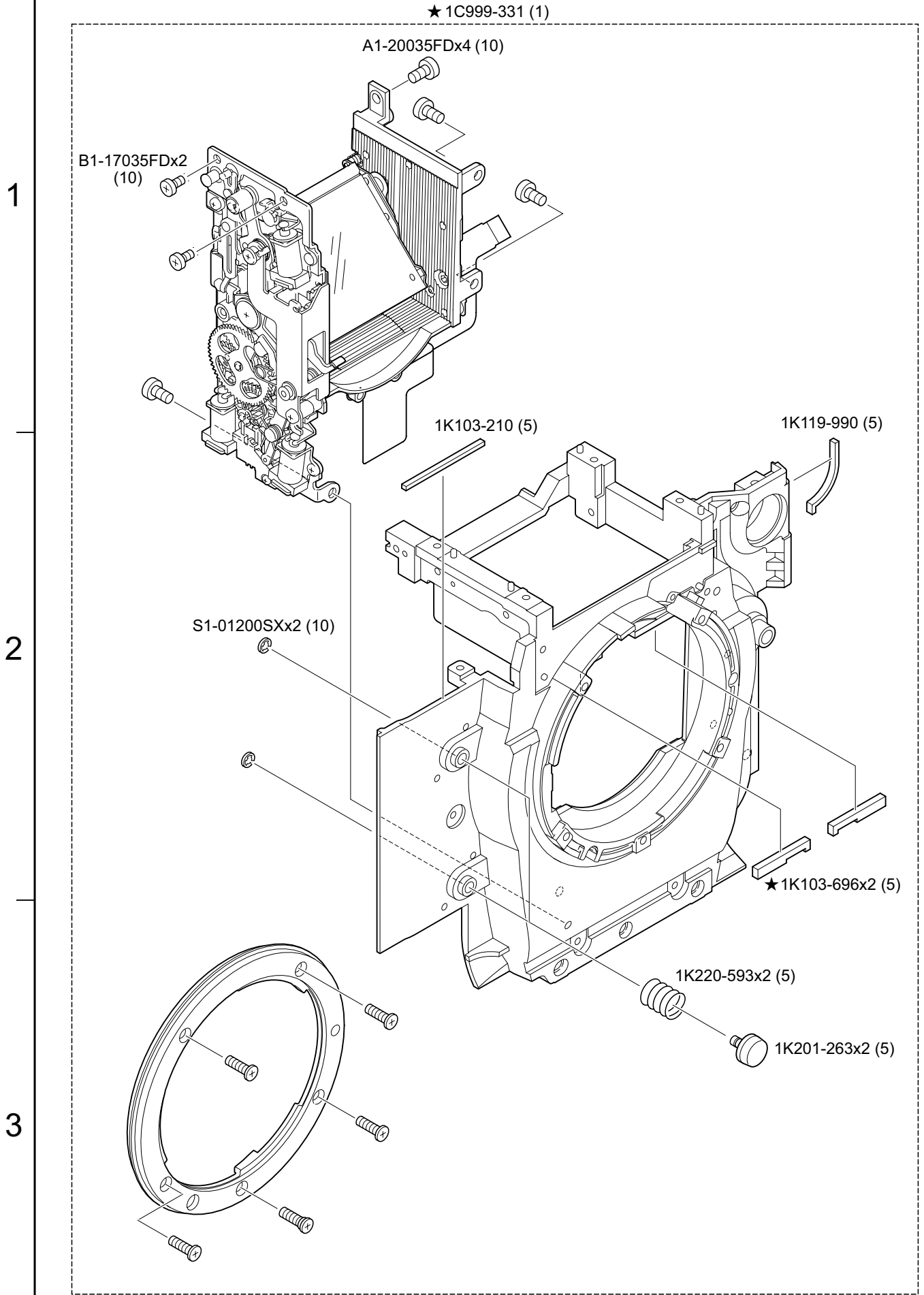


Fig. 6

**A****B**

VBA10501-R.3657.A

1

2

3

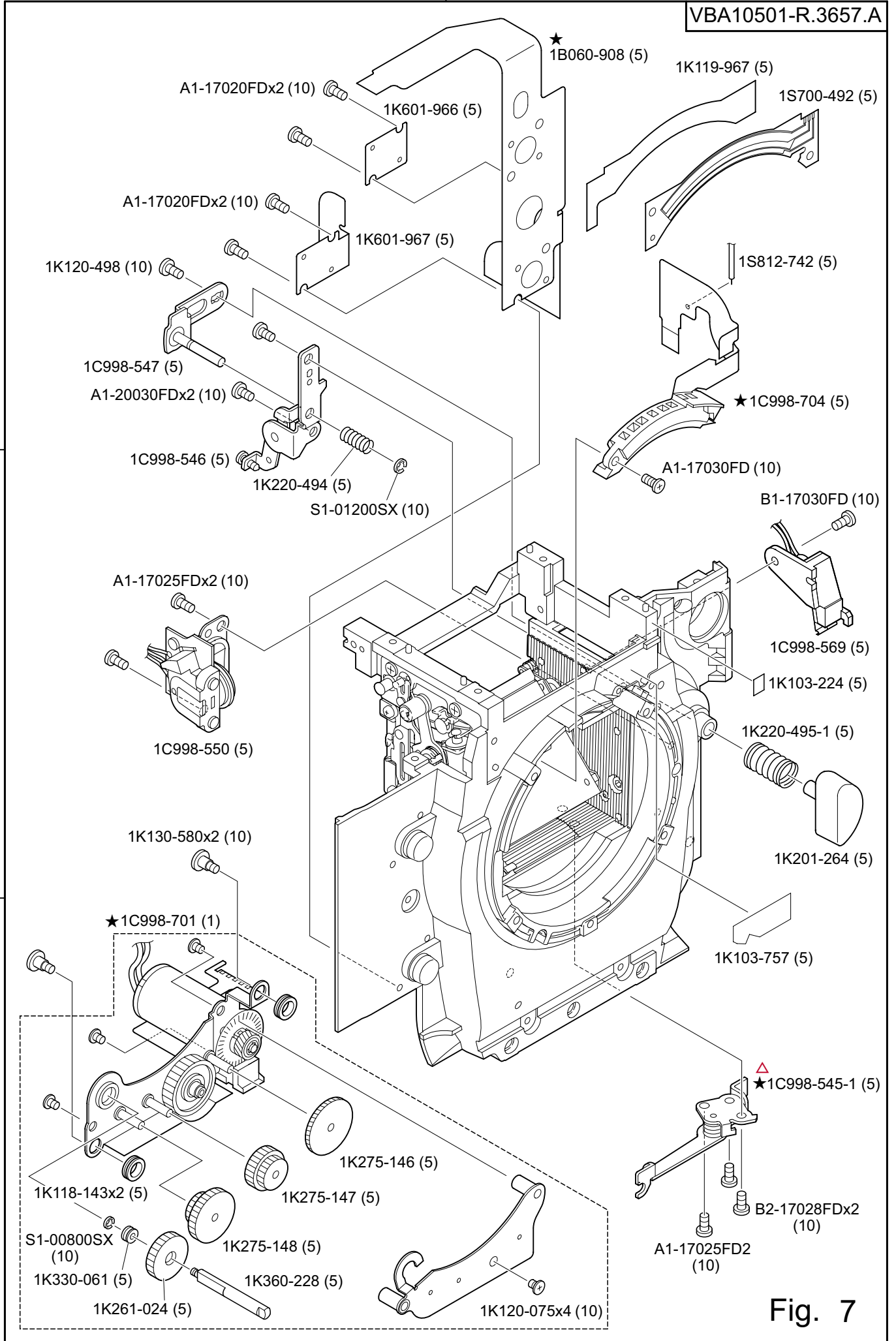


Fig. 7



A

B

VBA10501-R.3657.A

1

2

3

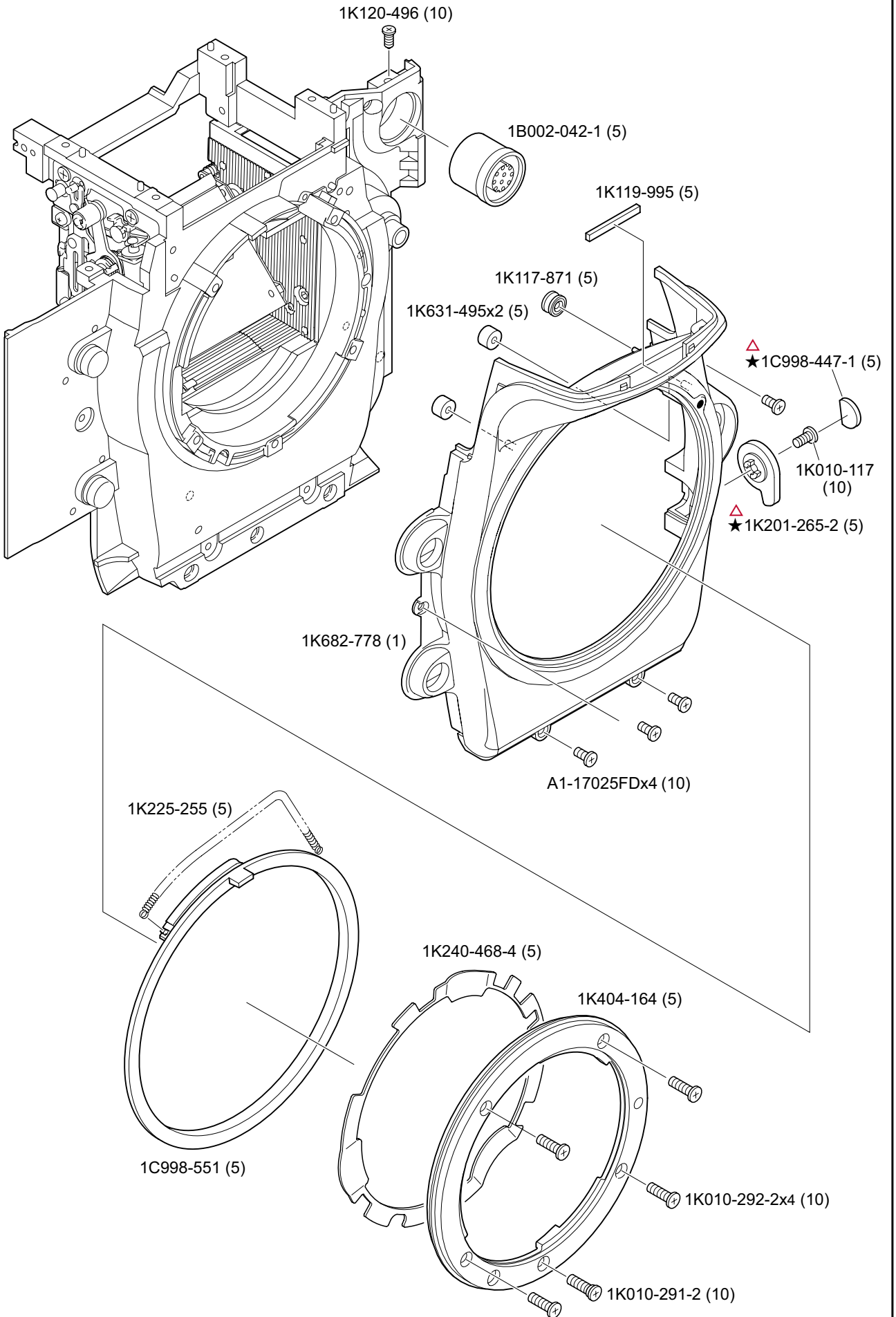


Fig. 8

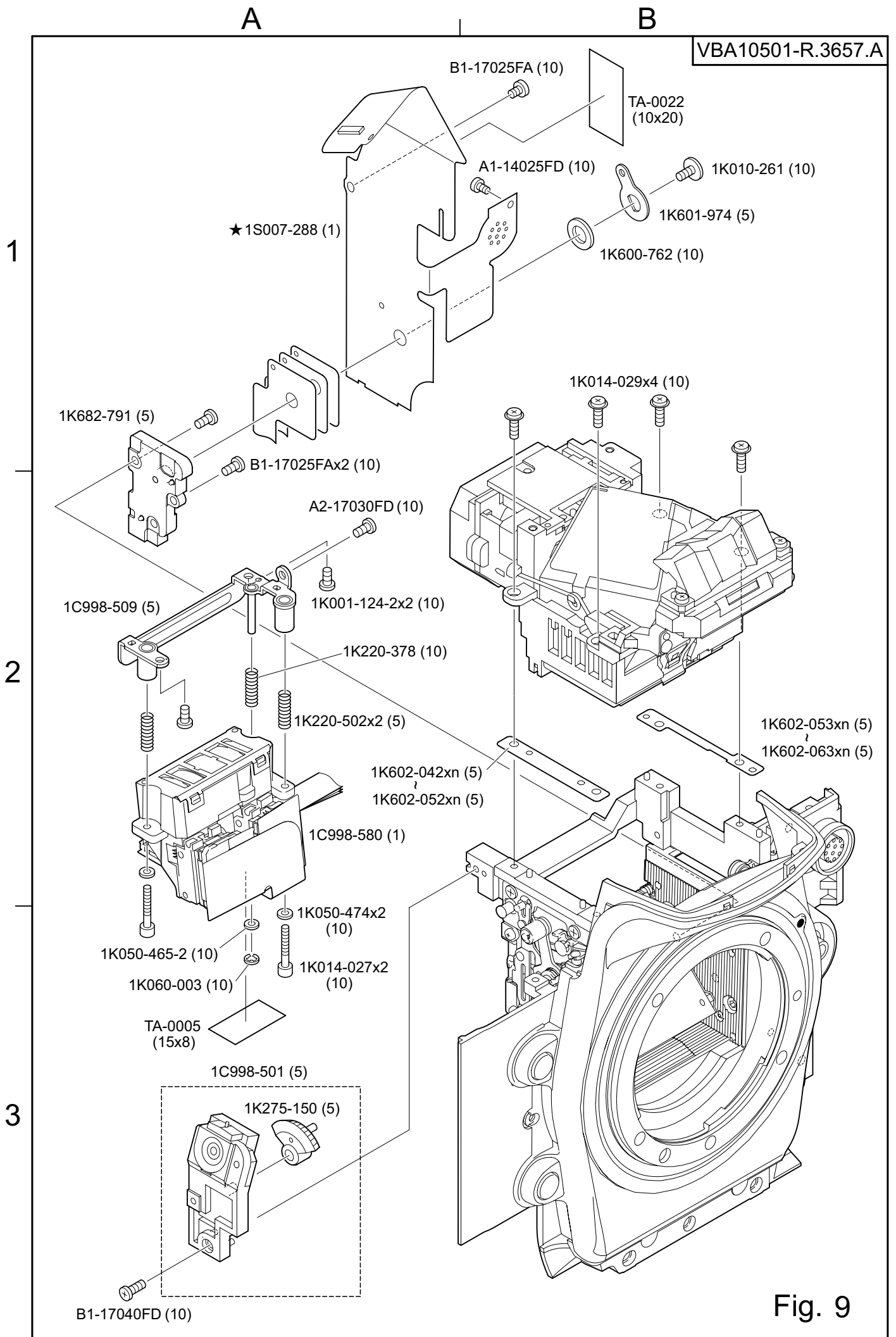
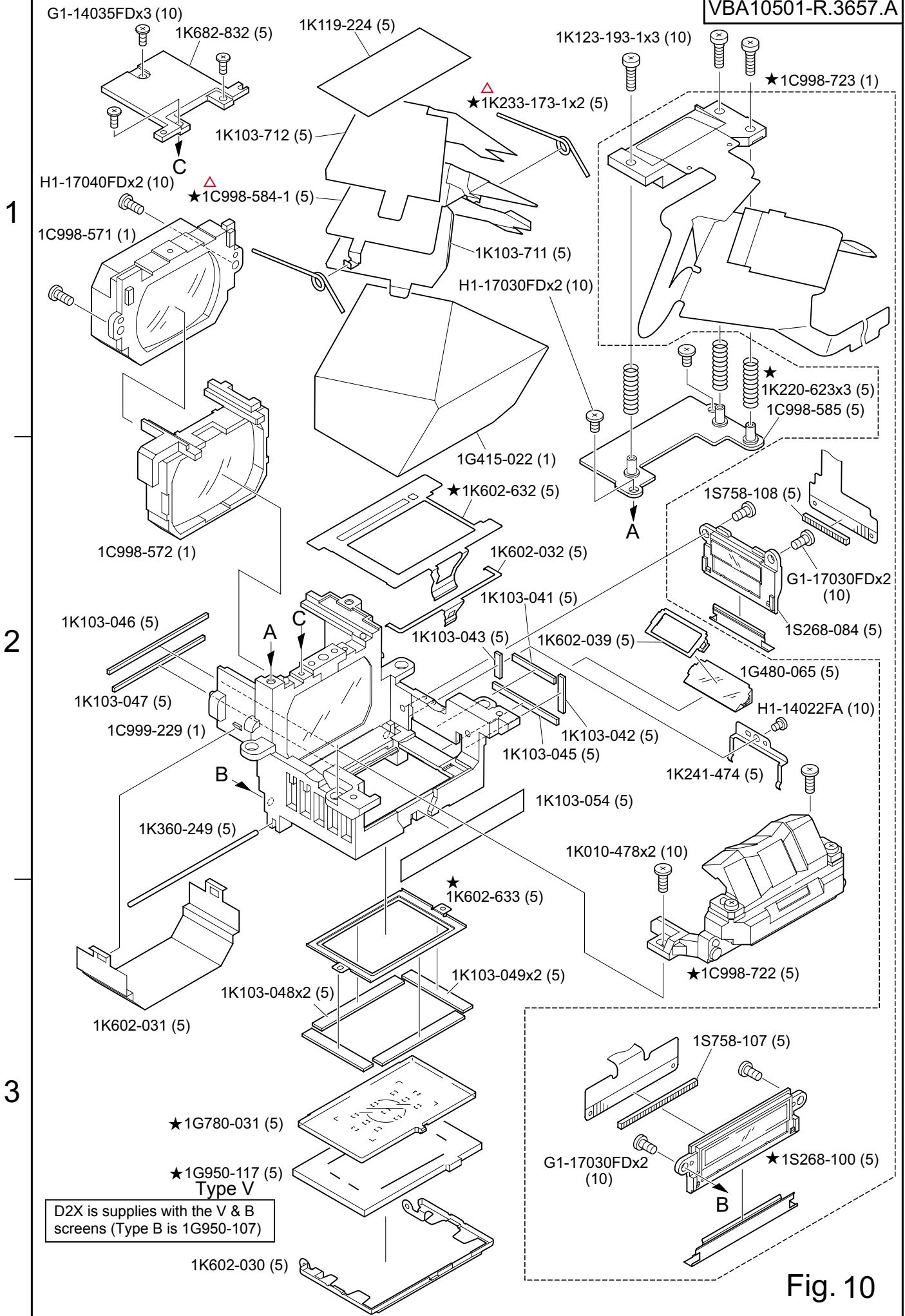


Fig. 9

**A****B****VBA10501-R.3657.A**

A

B

VBA10501-R.3657.A

★ D 2 x の専用部品、その他は D 2 H と共通。

★ Exclusive parts for D2x, Other parts are common with D2H.

1

★ 1C999-330 (1)

2

3

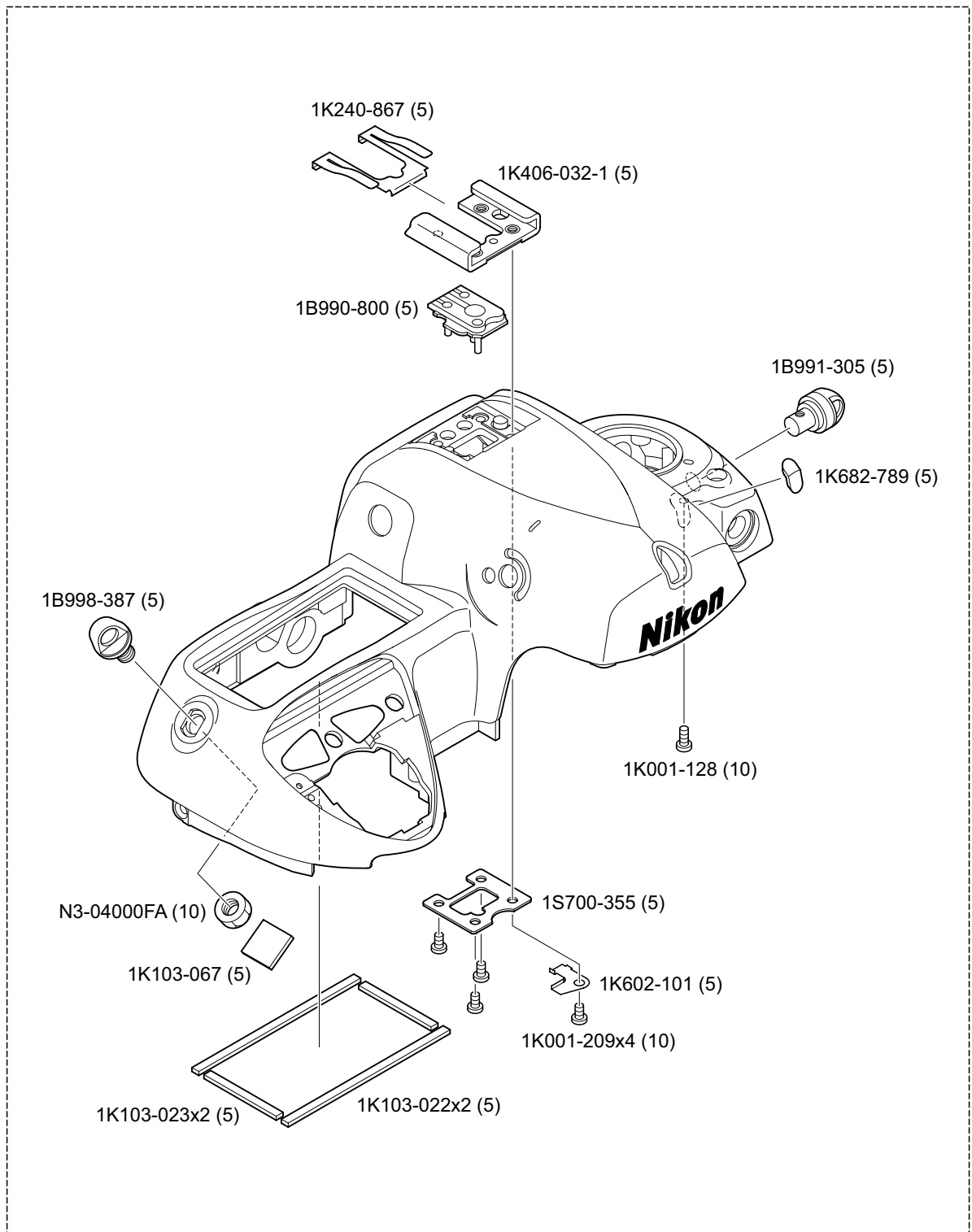


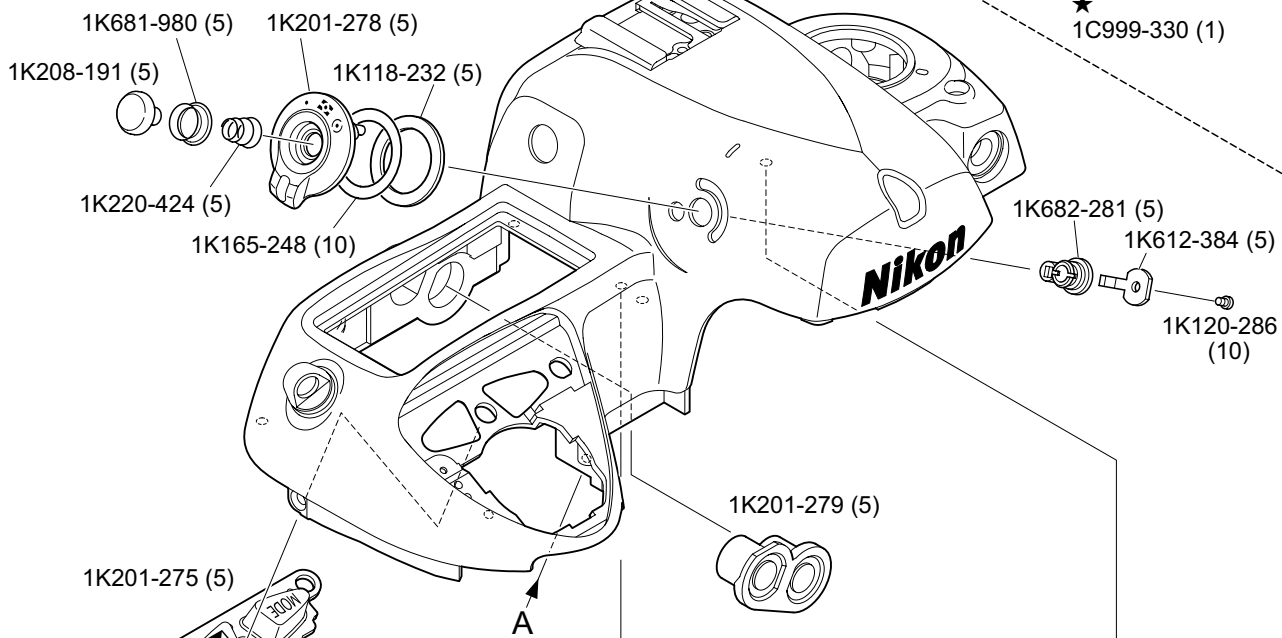
Fig. 11

A

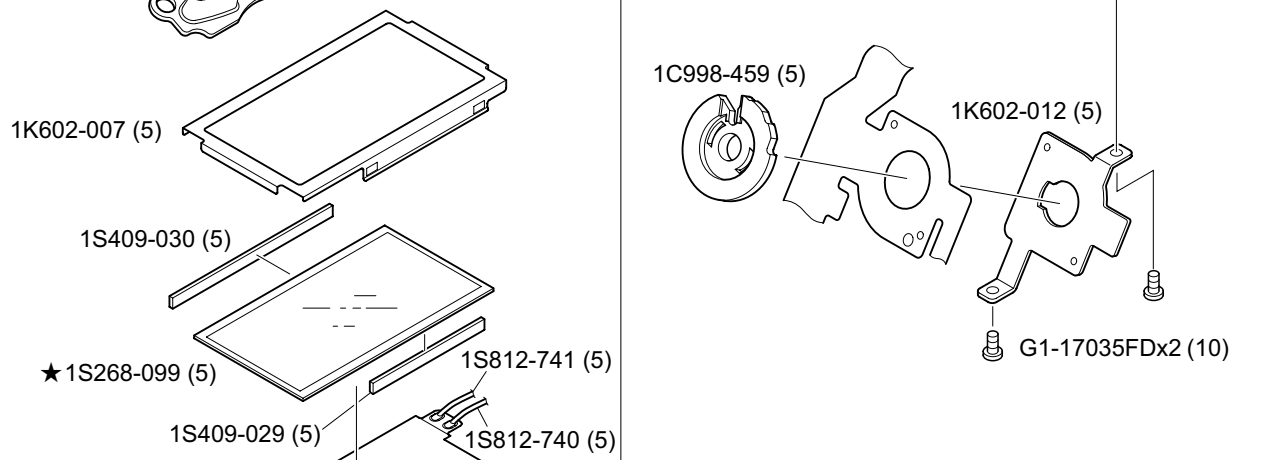
B

VBA10501-R.3657.A

1



2



3

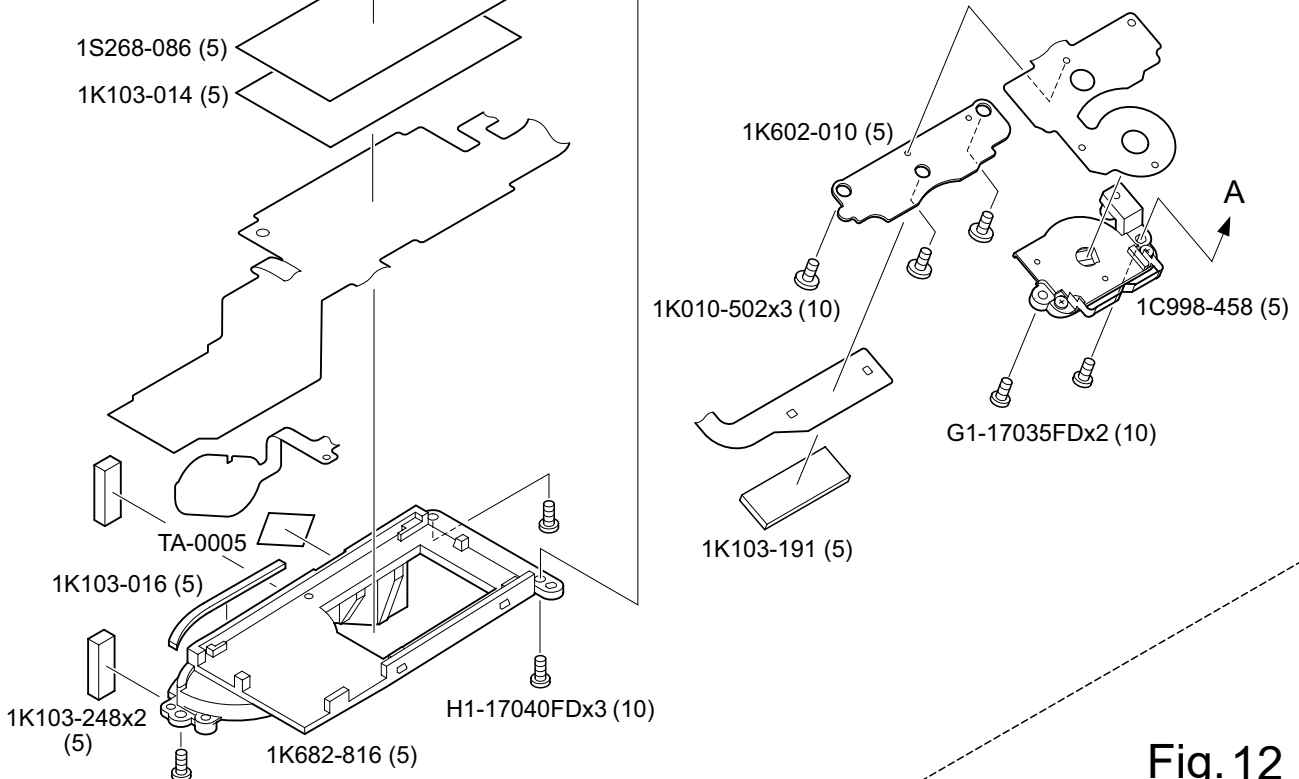


Fig. 12

A

B

VBA10501-R.3657.A

1

2

3

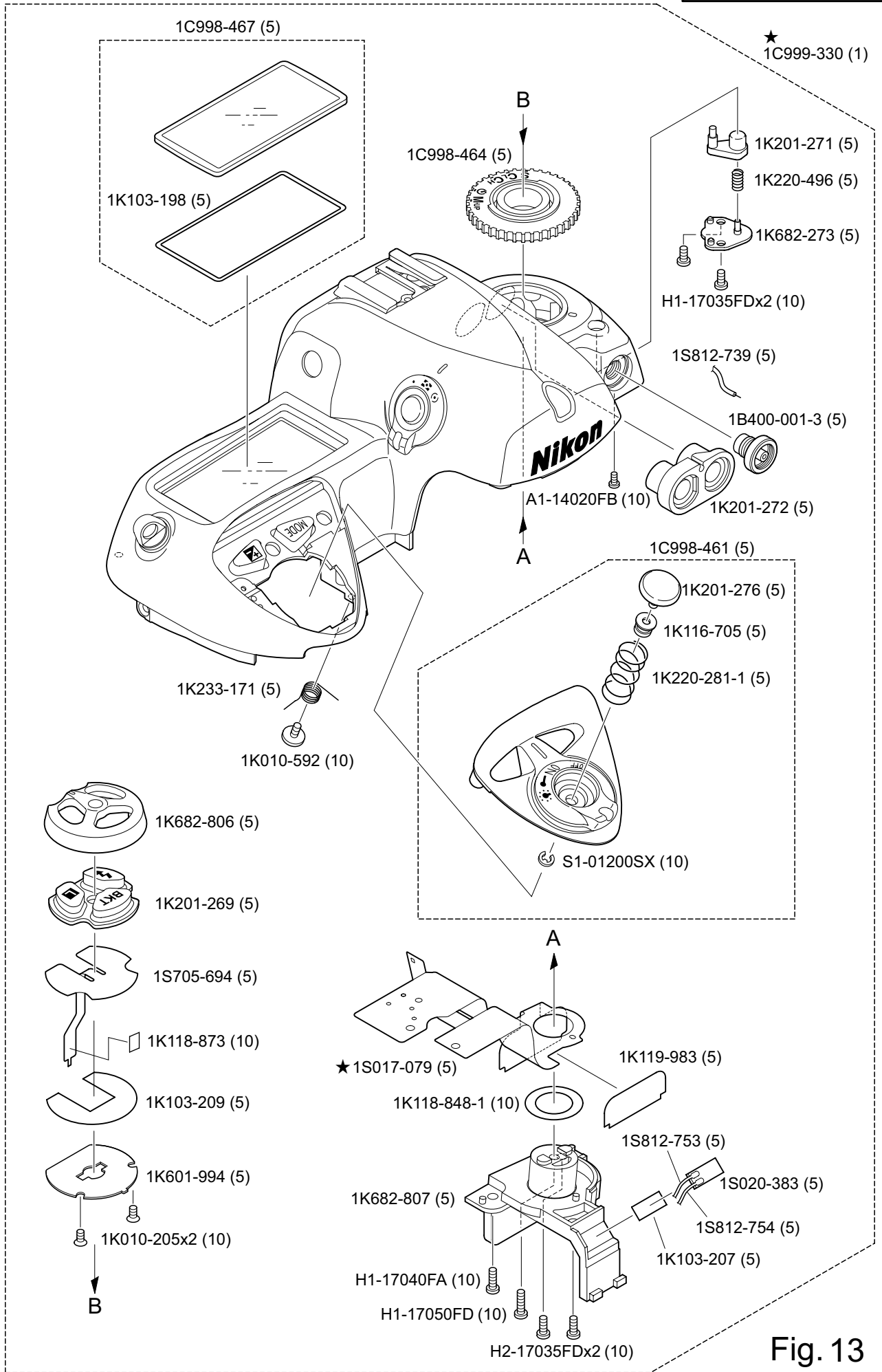


Fig. 13

A

B

VBA10501-R.3657.A

★ 1C999-330 (1)

1

2

3

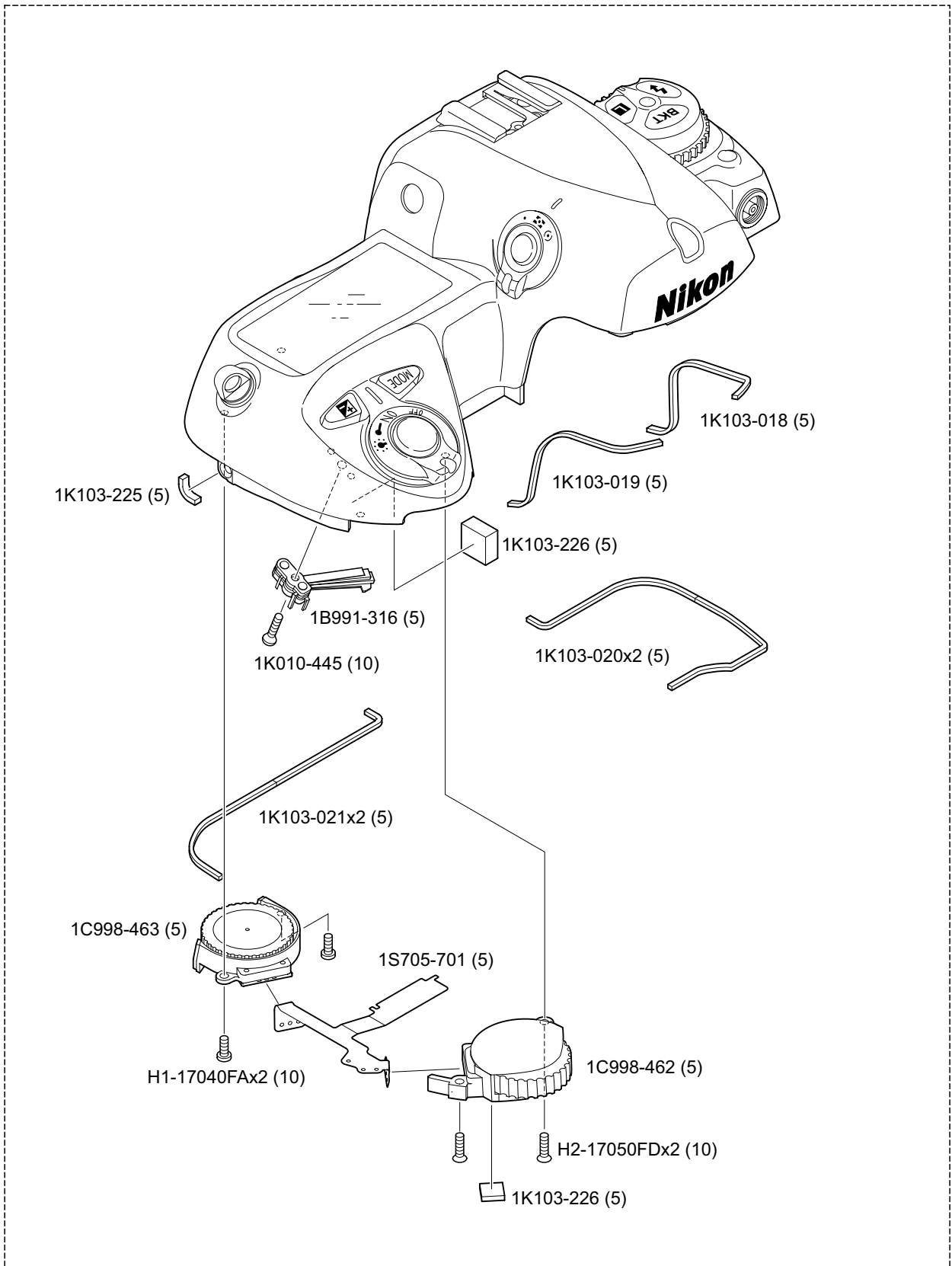


Fig. 14

A

B

VBA10501-R.3657.A

1

B1-17060FSx2 (10)

★1C998-712 (5)

A1-20040FS (10)

★1C999-330 (1)

1K201-122 (5)

1K201-121 (5)

H1-17050FD (10)

A1-17030FD (10)

2

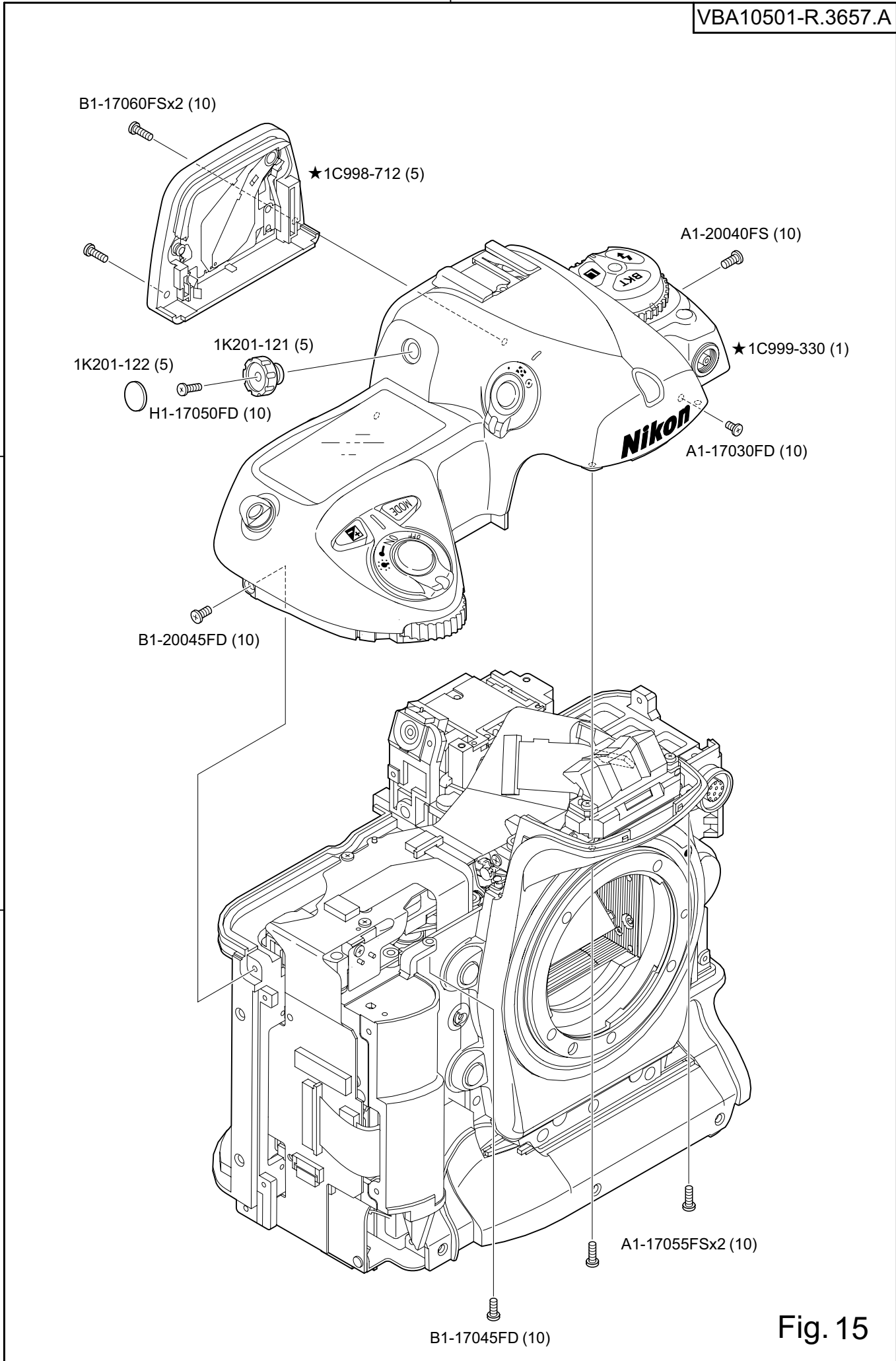
B1-20045FD (10)

3

A1-17055FSx2 (10)

B1-17045FD (10)

Fig. 15





A

B

1

2

3

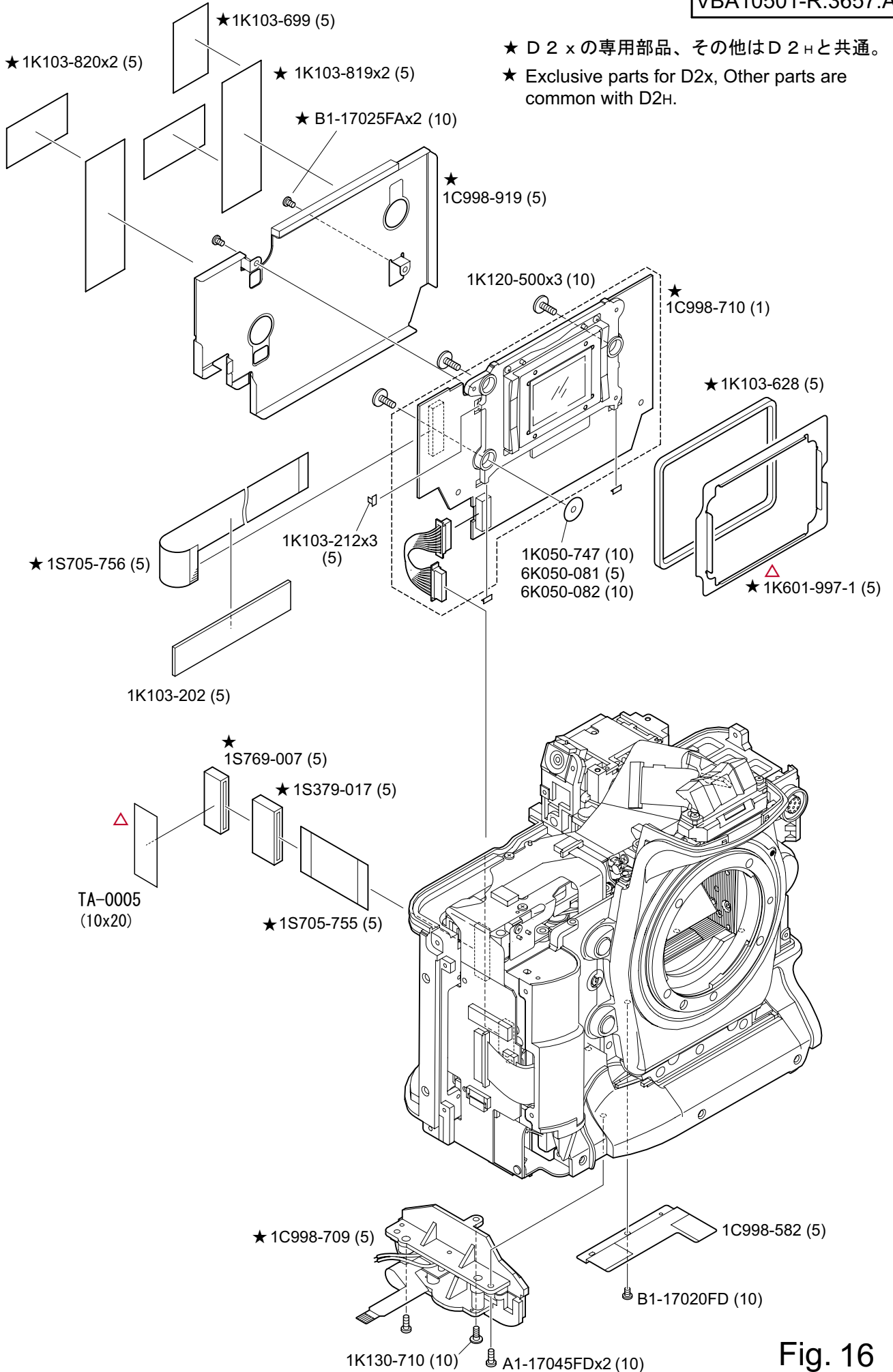


Fig. 16

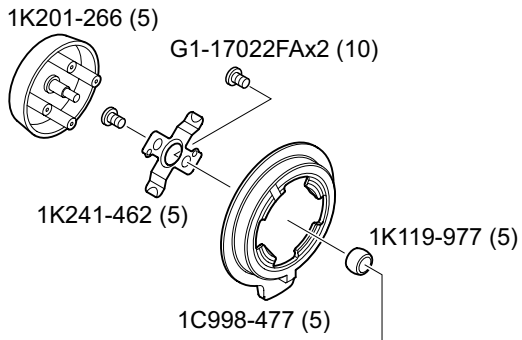
A

B

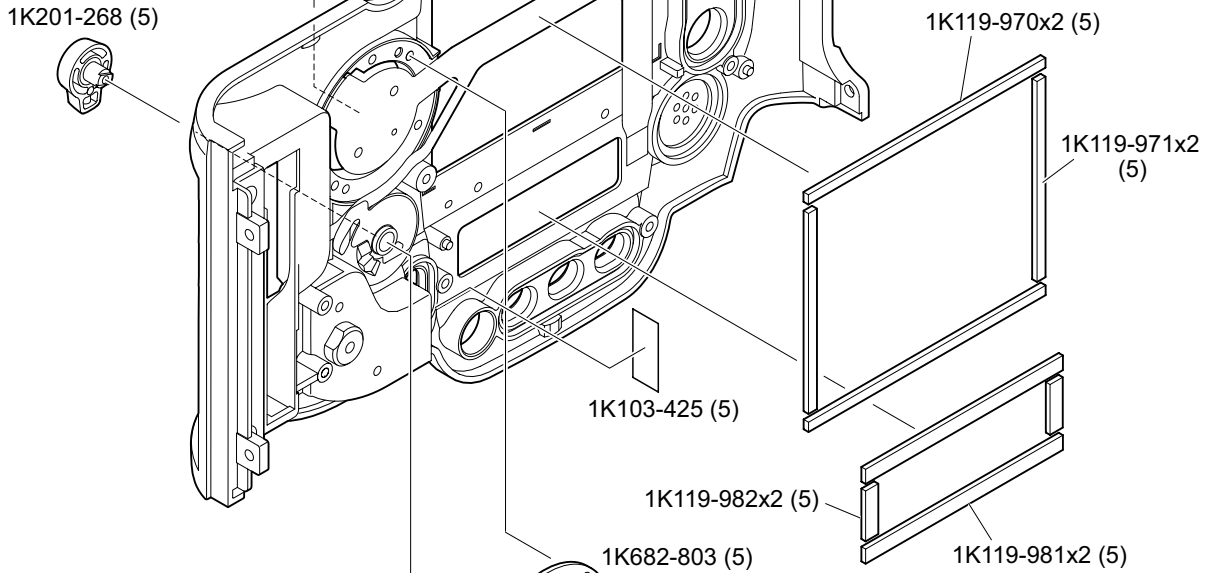
VBA10501-R.3657.A

★ 1C999-332 (1)

1



2



3

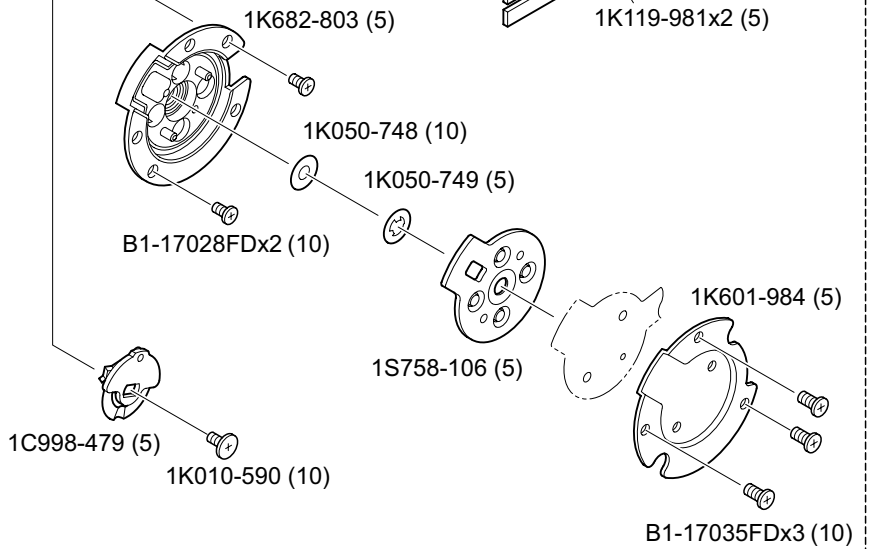


Fig. 17

A

B

1

2

3

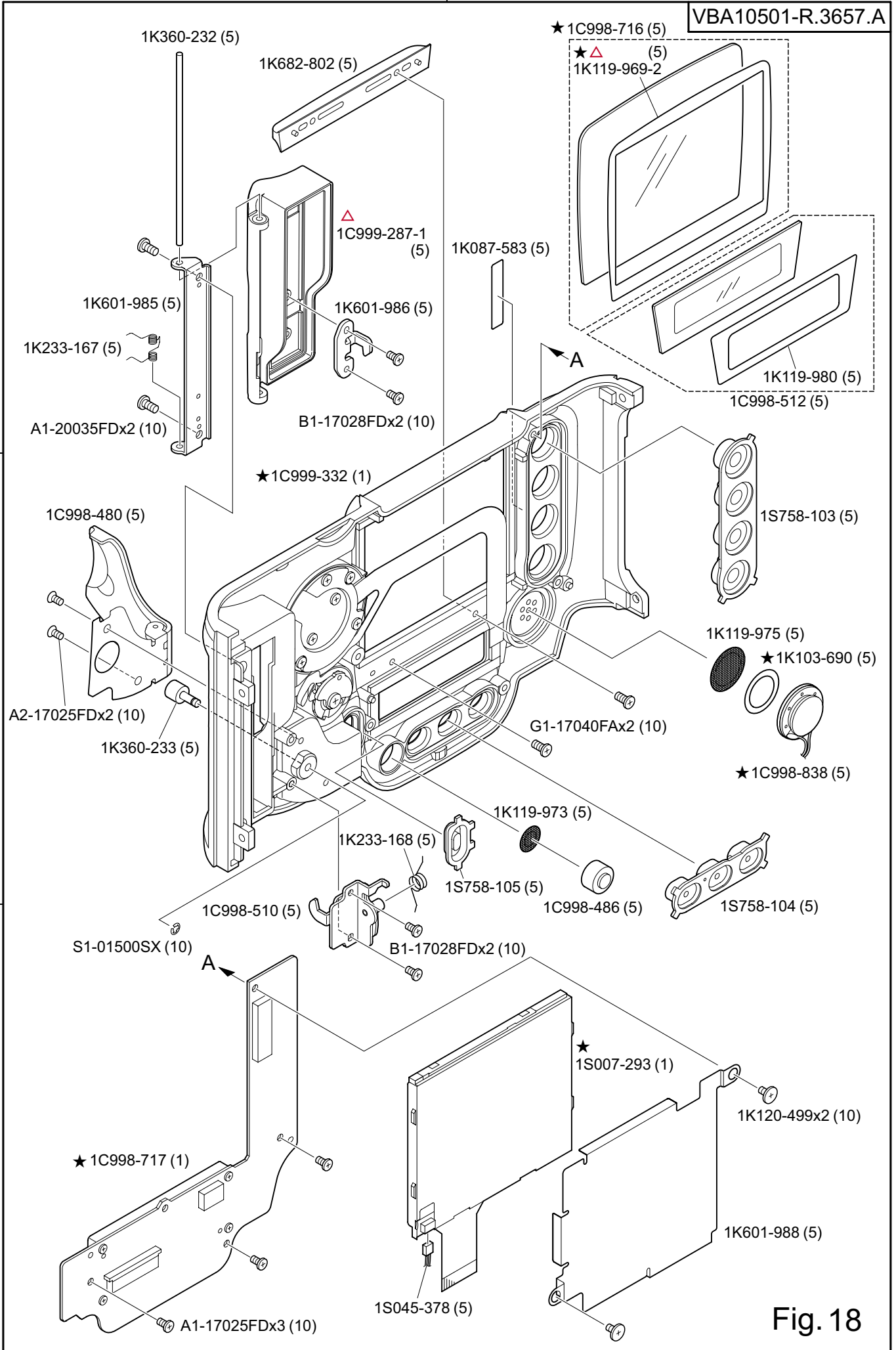


Fig. 18

A

B

VBA10501-R.3657.A

1

2

3

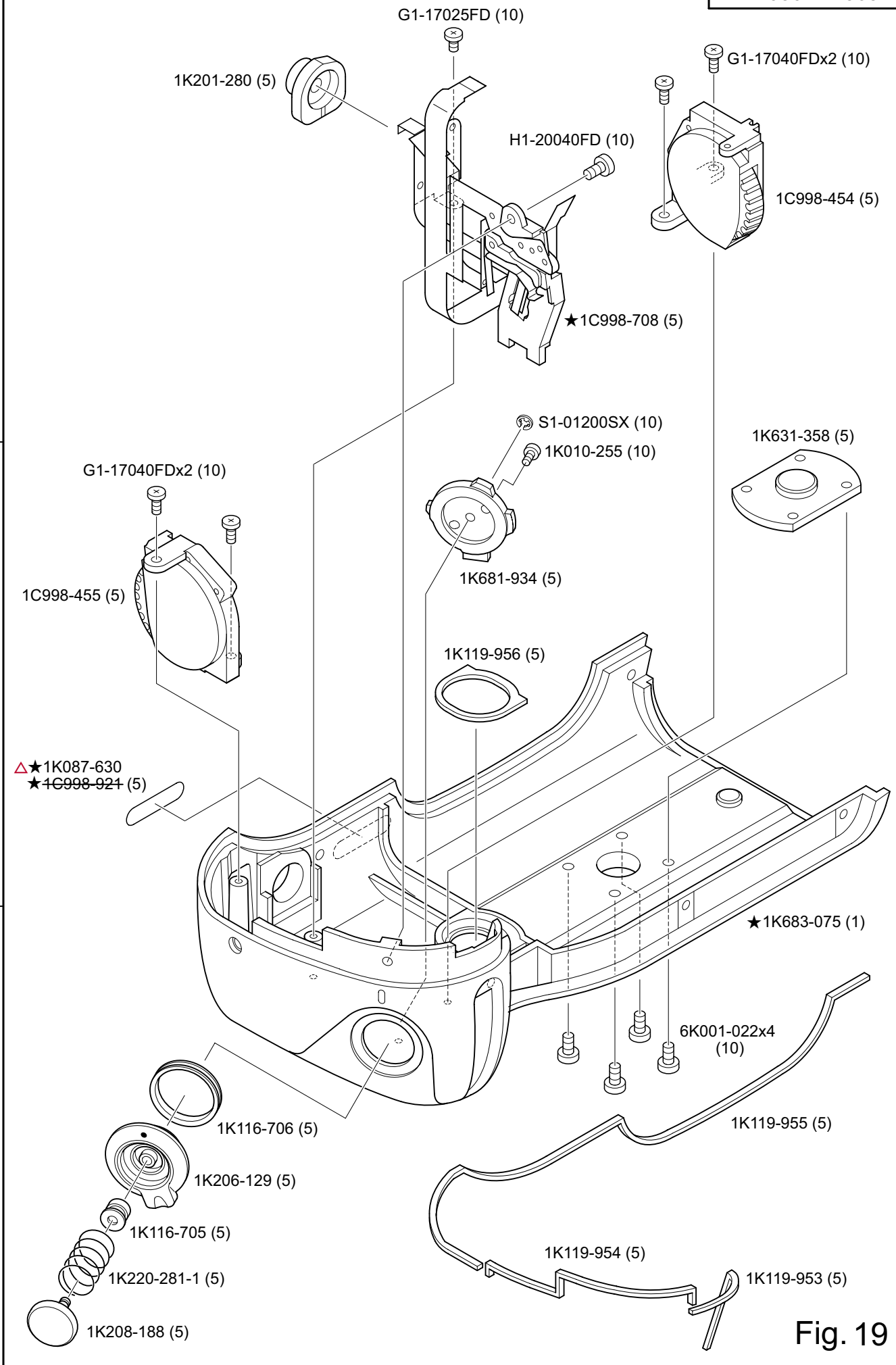


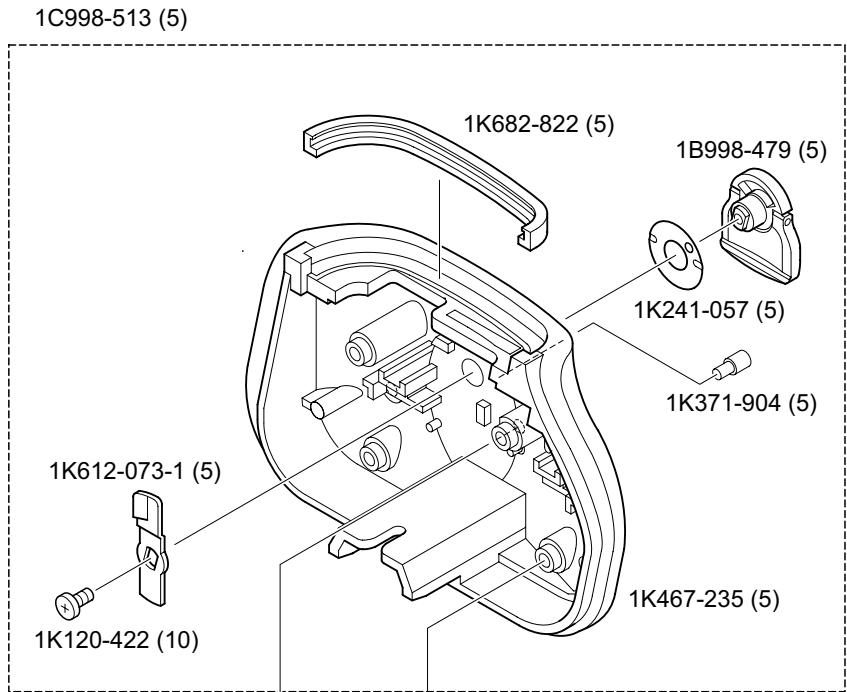
Fig. 19

A

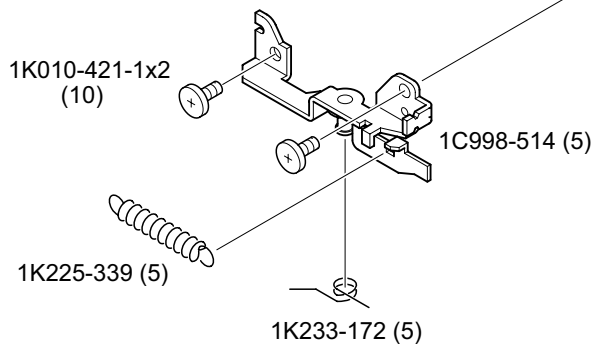
B

VBA10501-R.3657.A

1



2



3

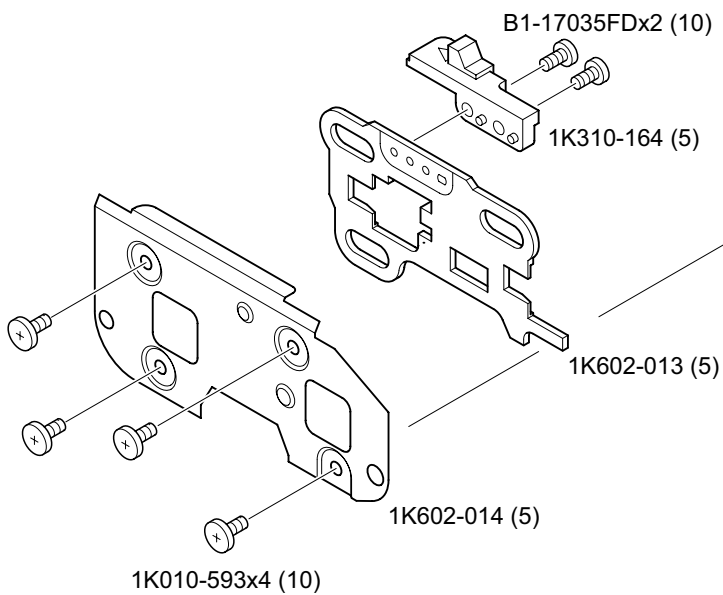


Fig. 20

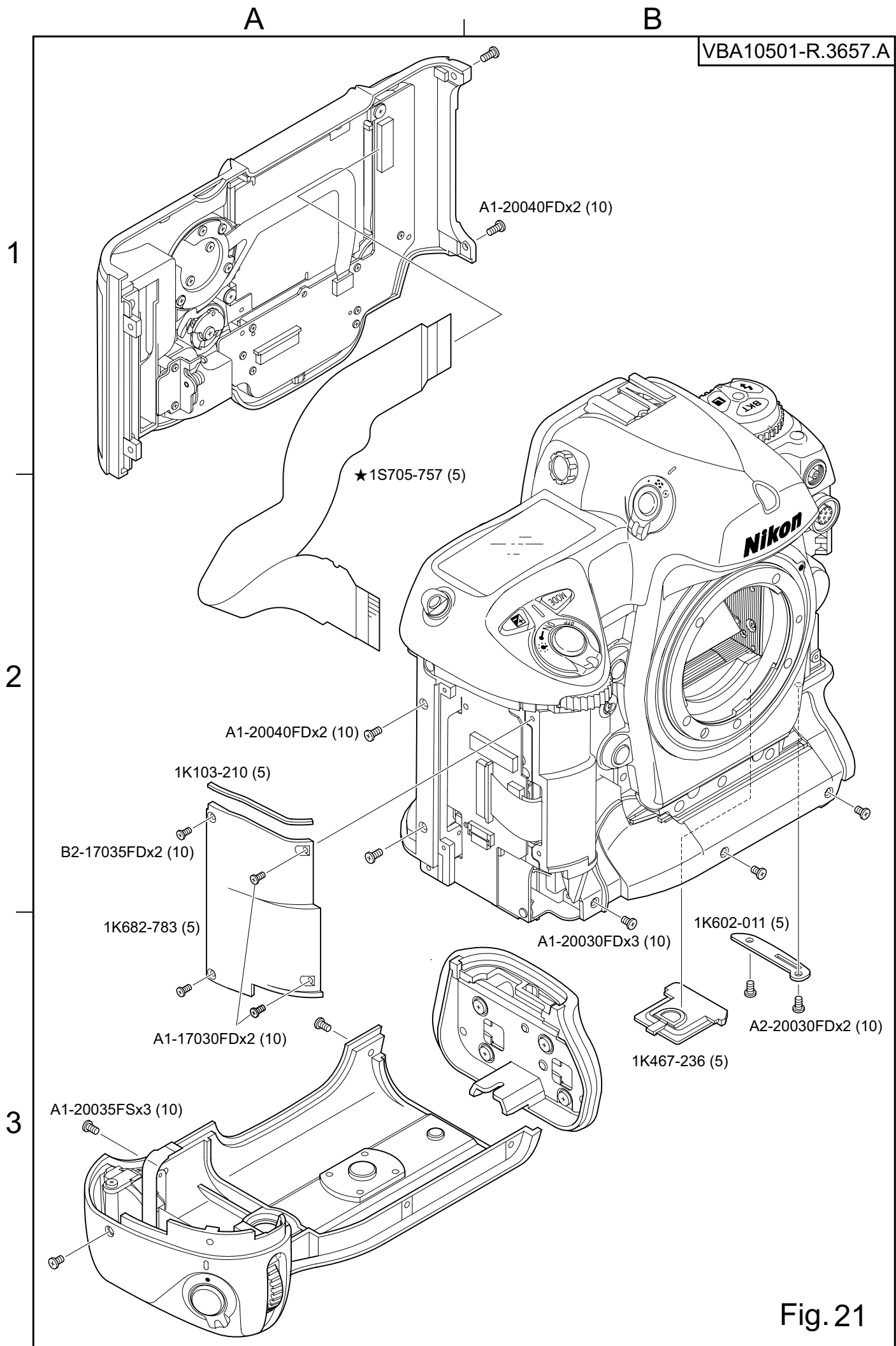


Fig. 21

A

B

VBA10501-R3657.A

1

2

3

1K682-805 (5)

1K080-005-1x2 (10)

1K100-035-1x2 (10)

1K119-994 (5)

1K001-125x3 (10)

★1K683-082 (5)

★G1-17020FDx2 (10)

★1K103-783 (5)

★1K103-725 (5)

★1K602-640 (5)

B1-14030FAx4 (10)

1K119-993 (5)

1K103-201 (5)

1K467-157 (5)

1K467-156 (10)

1K467-231 (5)

1K601-983x2 (5)

1K467-232 (5)

1C998-449 (5)

1K602-222 (5)

1C998-448 (5)

1C998-450 (5)

1C998-451 (5)

★1K087-629 (5)

1K467-238 (5)

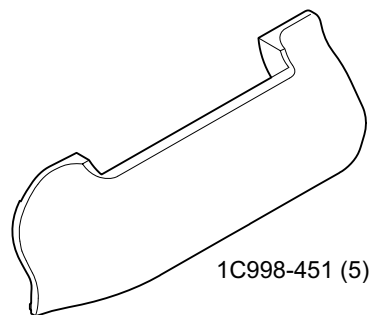
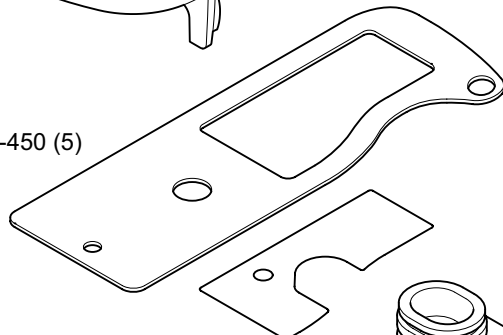
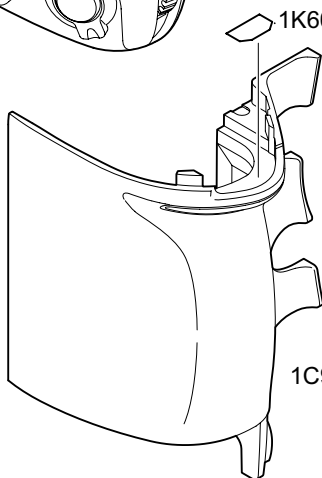
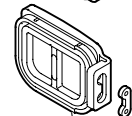
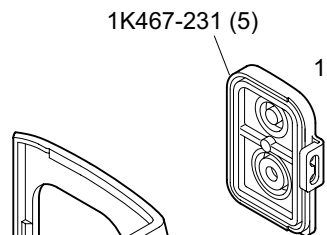
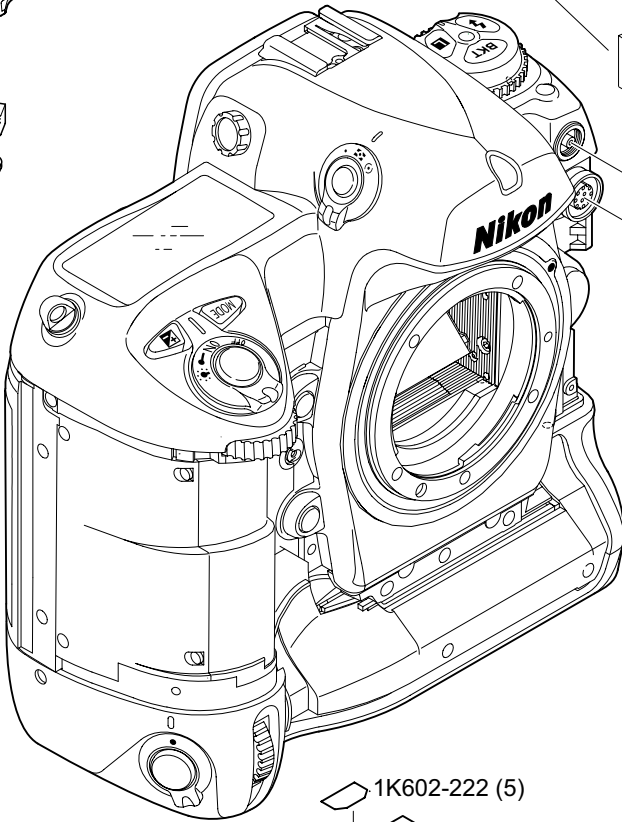
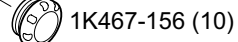
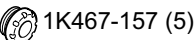
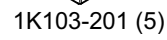
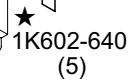
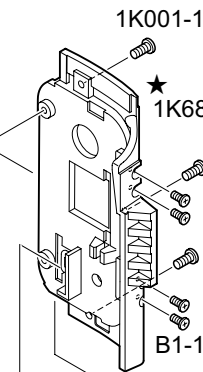
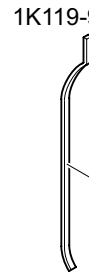
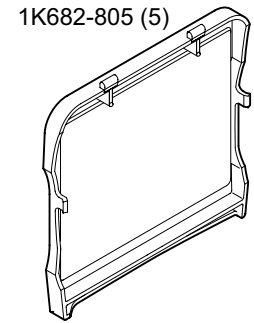


Fig. 22